

STV **STONE VALVE** **china valve manufacturers**

Stone Valve Group Limited
Head Office: Dongou Industrial Zone, Ouber, Wenzhou, Zhejiang, China
Tel: +86-577-21882992/21882999/21882997/21882998
Fax: +86-577-21882991
E-mail: stone@stone-valve.com
Website: www.stone-valve.com

Stone Valve Group Limited (Europe branch)
Belgium

Contact: Mr. Bart Dauwe / General Manager
Address: Ankerrui 20, 2000 Antwerp, Belgium
Tel: 0032 3233 7901
Fax: 0032 3232 3546
Mobile: 0032 4855 96862
E-mail: Europe@stone-valve.com
Website: www.stone-valve.com

www.stone-valve.com

DIN VALVE SERIES **BELLOW VALVE SERIES**



Stone Valve Group Limited

www.stone-valve.com stone@stone-valve.com



Stone Valve



API 6D



ISO 9001



ISO 9001



CE 305



努力依靠科技力量，紧随世界一流水平，不断研发，高新技术产品。同时，以优质的产品和优质的服务，提供铝广大用户，做行业的龙头企业。

Efforts to rely on scientific and technological strength, followed by a world-class level, constant research and development, high-tech products. At the same time, to high-quality products and quality services available to the general user, do the industry's leading companies.

Quality Guarantee

一流的检测设备，一丝不苟的检测手段，确保产品的稳定和可靠。细致是监测产品质量的保证。不让质量问题损害我们的品牌是我们的宗旨。有序的生产程序，有效的工作效率是改进于一切的必要基础。

First-class testing equipment, meticulous detection means, to ensure product stability and reliability. Careful monitoring of product quality assurance, Quality problems to prevent damage to our brand is our aim. Ordered the production process, effective efficiency is to win in all of the necessary foundation.



Production Equipment

我们拥有先进的生产设备，运用崭新的管理概念及强大的专业技术力量，生产出符合国际标准的高品质产品。

We own advanced producing equipment, make sure of completely new managing concept, an strong professional technology force to produce high quality products that confirm with international standard.





Stone Valve

产品目录 Product Contents

德标阀门系列 DIN Valve Series	01
德标铸钢闸阀 DIN Cast Steel Gate Valve	02-08
德标铸钢截止阀 DIN Cast Steel Globe Valve	09-13
德标铸钢止回阀 DIN Cast Steel Check Valve	14-16
德标铸钢过滤器 DIN Cast Steel Y-Strainer	17
德标铸钢球阀 DIN Cast Steel Ball Valve	18
波纹管阀门系列 Bellow Valve Series	19
德标波纹管截止阀 Globe Valve Bellow Seal Acc. to DIN	20-22
德标Y型直流式波纹管截止阀 Y-Type Globe Valve With Bellow Seal Acc. to DIN	23-25
德标直角式波纹管截止阀 Right Angle Bellow Globe Valve Acc. to DIN	26-28
锻压波纹管截止阀 Forging And Stamping Corrugated Pipe Globe Valve	29
美标波纹管闸阀 Gate valve with bellow seal acc. to ANSI	30-32
美标波纹管截止阀 Globe Valve With Bellow Seal Acc. To ANSI	33-36
国标波纹管闸阀 Gate Valve With Bellow Seal Acc. to GB	37-39
国标波纹管截止阀 Globe Valve With Bellow Seal Acc. to GB	40-42

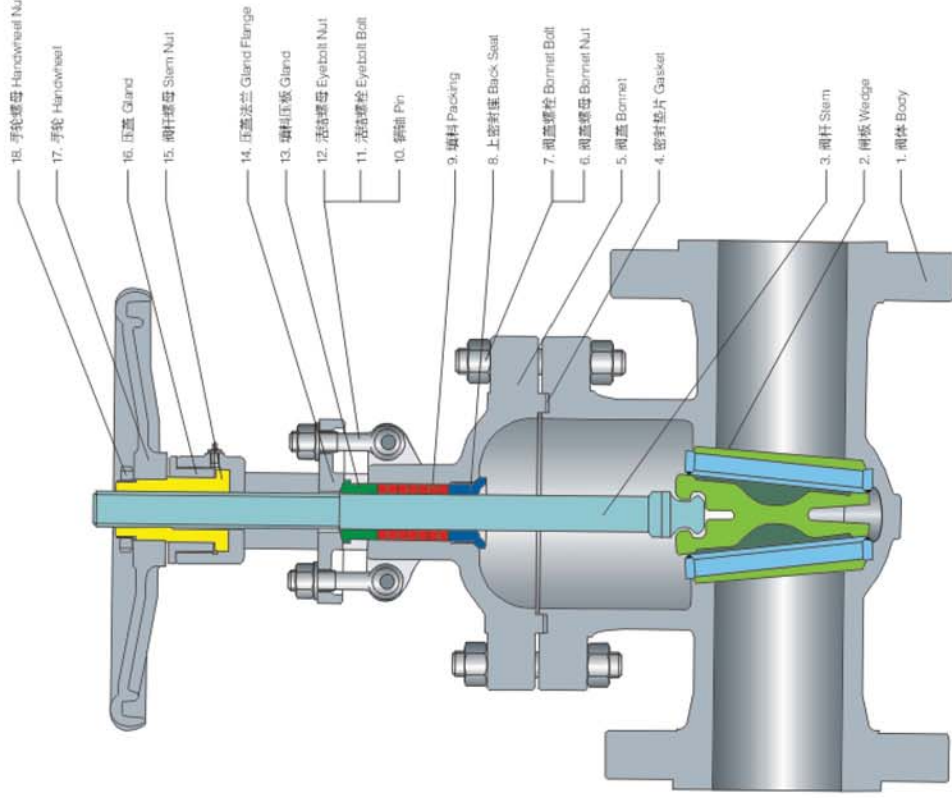


DIN Valve Series



Stone Valve

◆ 德标3352 铸钢闸阀 DIN 3352 Cast Steel Gate Valve



- ◆ **技术规范 Technical Specification:**
 - 1、设计和制造 Design and Manufacture: DIN 3352
 - 2、试验和测试 Inspection and Test: ISO 5208, EN12266
 - 3、法兰尺寸 Flanged ends dimension: EN 1092-1, DIN2544 PN25, DIN2545 PN40, DIN2546 PN64
 - 4、对焊端尺寸 Butt-welded ends dimension: EN12627
 - 5、结构长度 Face to face and end to end: DIN 3202, EN 559-1, ISO 5752
 - 6、压力-温度额定值 Pressure-temperature ratings: DIN 2401

◆ 内件材质按照 Trim Materials According To API600/ISO 10434

内件号 Trim Number	闸板密封 Surfaces	闸杆密封 Surfaces	闸杆及上密封面 Stem & Back Seal Material
1	13Cr	13Cr	F6a
2	18Cr-8Ni	18Cr-8Ni	F304
3	25Cr-20Ni	25Cr-20Ni	25Cr-20Ni
5	司本立 Stellite	司本立 Stellite	F6a
6	13Cr	CuNi	F6a
8	13Cr	司本立 Stellite	F6a
9	NCu alloy	NCu alloy	NCu alloy
10	18Cr-8Ni-Mo	18Cr-8Ni-Mo	18Cr-8Ni-Mo
11	NCu alloy	司本立 Stellite	NCu alloy
12	18Cr-8Ni-Mo	司本立 Stellite	18Cr-8Ni-Mo
13	19Cr-29Ni	19Cr-29Ni	19Cr-29Ni
14	19Cr-29Ni	司本立 Stellite	19Cr-29Ni

◆ 主要零部件材质 Main Parts Material

序号 NO	零件名称 Part Name	碳钢系列 Carbon steel				合金钢系列 Alloy Steel				不锈钢系列 Stainless steel			
		WCB	LCB	WC6	WC9	WC6	WC9	CF8	CF8M	CF8	CF8M	CF8	CF8M
1	阀体 Body	A216 WCB	A352 LCB	A217 WC6	A217 WC9	A217 WC6	A217 WC9	A351 CF8	A351 CF8M	A351 CF8	A351 CF8M	A351 CF8	A351 CF8M
2	闸板 Wedge	A216 WCB	A352 LCB	A217 WC6	A217 WC9	A217 WC6	A217 WC9	A351 CF8	A351 CF8M	A351 CF8	A351 CF8M	A351 CF8	A351 CF8M
3	闸杆 Stem	A182 F6	A182 F6	A182 F6	A182 F6	A182 F6	A182 F6	A182 F304	A182 F304	A182 F304	A182 F304	A182 F304	A182 F316
4	密封垫片 Gasket			柔性石墨 Soft Graphite+SS304									
5	阀盖 Bonnet	A216 WCB	A352 LCB	A217 WC6	A217 WC9	A217 WC6	A217 WC9	A351 CF8	A351 CF8M	A351 CF8	A351 CF8M	A351 CF8	A351 CF8M
6	副阀螺母 Bonnet Nut	A194 2H	A194 4	A194 7	A194 7	A194 7	A194 7	A194 B	A194 8M	A194 B	A194 8M	A194 B	A194 8M
7	副阀螺栓 Bonnet Bolt	A193 B7	A193 L7	A193 B16	A193 B16	A193 B16	A193 B16	A193 B8	A193 B8M	A193 B8	A193 B8M	A193 B8	A193 B8M
8	上密封座 Back Seat	A182 F6	A182 F6	A182 F6	A182 F6	A182 F6	A182 F6	A182 F304	A182 F304	A182 F304	A182 F304	A182 F304	A182 F316
9	填料 Packing			柔性石墨 Soft Graphite or PTFE									
10	销轴 Pin			A276 TYPE 410									
11	活结螺母 Eyebolt Nut	A193 B7	A193 B7	A193 B7	A193 B7	A193 B7	A193 B7	A193 B8	A193 B8	A193 B8	A193 B8	A193 B8	A193 B8
12	活结螺母 Eyebolt Nut	A194 2H	A194 2H	A194 2H	A194 2H	A194 2H	A194 2H	A194 B	A194 B	A194 B	A194 B	A194 B	A194 B
13	闸杆压板 Gland	A182 F6	A182 F6	A182 F6	A182 F6	A182 F6	A182 F6	A182 F304	A182 F304	A182 F304	A182 F304	A182 F304	A182 F316
14	压盖法兰 Gland Flange	A216 WCB	A216 WCB	A216 WCB	A216 WCB	A216 WCB	A216 WCB	A216 F304	A216 F304	A216 F304	A216 F304	A216 F304	A216 F316
15	副阀螺母 Stem Nut	球墨铸铁 Ductile Iron	球墨铸铁 Ductile Iron	球墨铸铁 Ductile Iron	球墨铸铁 Ductile Iron	球墨铸铁 Ductile Iron	球墨铸铁 Ductile Iron	球墨铸铁 Ductile Iron	球墨铸铁 Ductile Iron	球墨铸铁 Ductile Iron	球墨铸铁 Ductile Iron	球墨铸铁 Ductile Iron	球墨铸铁 Ductile Iron
16	压盖 Gland	碳钢 Carbon Steel											
17	手轮螺母 Handwheel Nut	球墨铸铁或铸 Ductile Iron or Steel											
18	手轮 Handwheel	碳钢 Carbon Steel											

1. 驱动装置提供可户的要求提供, 未指明的情况下, 采用手轮驱动。
Drive unit is made to use's request if not specified handwheel drive will be used.
2. 上装式闸杆螺母使阀门在开启位置, 即使卸下手轮, 闸杆闸板不会下垂。
Top-mounted stem nut can prevent stem disc from falling off when valve is at 'open' position and handwheel is taken off.
3. 填料采用柔性石墨材料, 密封性能可靠, 用户有要求时可提供填料隔环和注油脂结构。
Packing uses flexible graphite for dependable sealing performance. If requested by users, packing spacer ring and greasing mechanism can be available.

4. 闸门上密封的设计, 全开时可保证填料, 密封可靠。(不推荐带压更换填料)
Upper seal design to ensure dependable packing and sealing when valve is fully opened. (Replacement of packing under pressure is not recommended).
5. 升降式闸杆, 闸杆与闸板采用型面连接, 闸杆部分为整体锻造成型, 保证了足够的连接强度。
Lift stem, with stem and disc connected by 1-slot, and stem T head integrally forged to ensure sufficient strength of joint.

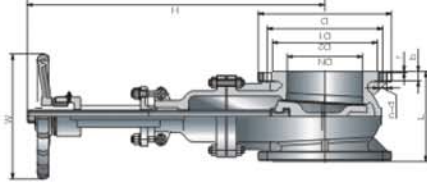
Stone Valve

德标铸钢闸阀 DIN Cast Steel Gate Valve

德标铸钢闸阀 DIN Cast Steel Gate Valve

Stone Valve

◆ 德标3202 F4明杆铸钢闸阀 DIN 3202 F4 Rising Stem Cast Steel Gate Valve



◆ 主要尺寸及重量 Main Dimensions And Weight

PN	DN	L	D	D1	D2	f	b	n-d	H	W	WT(RF,KG)
1.0	40	140	150	110	88	3	18	4-18	395	150	14
	50	150	165	125	102	3	20	4-18	400	160	18
	65	170	185	145	122	3	20	4-18	420	160	22
	80	180	200	160	138	3	22	8-18	485	160	29
	100	190	220	180	158	3	22	8-18	580	200	39
	125	200	250	210	188	3	24	8-18	710	200	53
	150	210	285	240	212	3	24	8-22	741	200	62
	200	230	340	295	268	3	26	8-22	960	200	101
	250	250	395	350	320	3	28	8-22	1035	320	160
	300	270	445	400	370	4	28	12-22	1352	320	224
1.6	350	290	505	460	430	4	30	12-22	1520	360	328
	400	310	565	515	482	4	32	16-22	1734	360	416
	40	140	150	110	88	3	18	4-18	395	160	14
	50	150	165	125	102	3	20	4-18	400	160	18
	65	170	185	145	122	3	18	4-18	420	160	22
	80	180	200	160	138	3	20	8-18	485	160	29
	100	190	220	180	158	3	20	8-18	580	200	39
	125	200	250	210	188	3	22	8-18	710	200	53
	150	210	285	240	212	3	22	8-22	741	200	62
	200	230	340	295	268	3	24	12-22	960	200	110
1.0	250	250	405	355	320	3	26	12-26	1035	320	167
	300	270	460	410	378	4	28	12-26	1352	320	241
	350	290	520	470	438	4	30	16-26	1520	360	327
	400	310	580	525	490	4	32	16-30	1734	360	429

◆ 主要尺寸及重量 Main Dimensions And Weight

PN	DN	L	D	D1	D2	f	b	n-d	H	W	WT(RF,KG)
1.0	40	140	150	110	88	3	18	4-18	278	160	13
	50	150	165	125	102	3	20	4-18	285	160	16
	65	170	185	145	122	3	20	4-18	315	160	20
	80	180	200	160	138	3	22	8-18	380	160	26
	100	190	220	180	158	3	22	8-18	419	200	35
	125	200	250	210	188	3	24	8-18	447	200	48
	150	210	285	240	212	3	24	8-22	546	200	56
	200	230	340	295	268	3	26	8-22	645	200	92
	250	250	395	350	320	3	28	8-22	749	320	145
	300	270	445	400	370	4	28	12-22	830	320	204
1.6	350	290	505	460	430	4	30	12-22	950	360	298
	400	310	565	515	482	4	32	16-22	1120	360	378
	40	140	150	110	88	3	18	4-18	278	160	13
	50	150	165	125	102	3	20	4-18	285	160	16
	65	170	185	145	122	3	18	4-18	315	160	20
	80	180	200	160	138	3	20	8-18	380	160	26
	100	190	220	180	158	3	20	8-18	419	200	35
	125	200	250	210	188	3	22	8-18	447	200	48
	150	210	285	240	212	3	22	8-22	546	200	56
	200	230	340	295	268	3	24	12-22	645	200	100
1.0	250	250	405	355	320	3	26	12-26	749	320	152
	300	270	460	410	378	4	28	12-26	830	320	219
	350	290	520	470	438	4	30	16-26	950	360	306
	400	310	580	525	490	4	32	16-30	1120	360	390

Fig: Z4514H

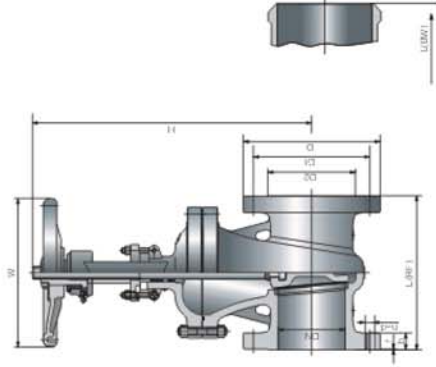
Stone Valve

德标铸钢闸阀
DIN Cast Steel Gate Valve

德标铸钢闸阀
DIN Cast Steel Gate Valve

Stone Valve

◆ 德标3202 F5明杆铸钢闸阀 DIN 3202 F5 Rising Stem Cast Steel Gate Valve

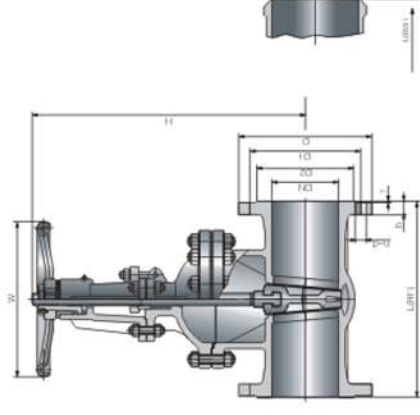


◆ 主要尺寸及重量 Main Dimensions And Weight

PN	DN	L (RF)	L (BW)	D	D1	D2	f	b	n-f	W	H	W (RF, KG)
16	40	240	150	110	86	3	18	4-18	200	300	17	
	50	250	165	125	102	3	20	4-18	280	358	19	
	65	270	185	145	122	3	22	8-18	280	375	27.5	
	80	280	200	160	138	3	20	8-18	350	433	32	
	100	300	220	180	158	3	20	8-18	360	502	40	
	125	325	235	200	188	3	22	8-18	400	612	68	
	150	350	250	225	212	3	22	8-22	400	676	75	
	200	400	300	265	240	3	24	12-22	400	820	115	
	250	450	350	305	320	3	26	12-26	450	969	140	
	300	500	400	350	378	4	28	12-26	560	1142	310	
	350	550	450	400	470	4	30	16-26	640	1290	300	
	400	600	500	450	525	4	32	16-30	640	1452	480	
500	700	600	550	610	4	40	20-33	720	1676	750		
600	800	700	650	715	5	42	20-36	800	1864	900		
700	900	800	750	810	5	42	24-36	800	2053	1600		
800	1000	900	850	910	5	42	24-39	950	2400	2100		
40	240	150	110	86	3	18	4-18	200	300	17		
50	250	165	125	102	3	20	4-18	280	358	19		
65	270	185	145	122	3	22	8-18	280	375	27.5		
80	280	200	160	138	3	20	8-18	350	433	32		
100	300	220	180	158	3	20	8-18	360	502	40		
125	325	235	200	188	3	22	8-18	400	612	68		
150	350	250	225	212	3	22	8-22	400	676	75		
200	400	300	265	240	3	24	12-22	400	820	115		
250	450	350	305	320	3	26	12-26	450	969	140		
300	500	400	350	378	4	28	12-26	560	1142	310		
350	550	450	400	470	4	30	16-26	640	1290	300		
400	600	500	450	525	4	32	16-30	640	1452	480		
500	700	600	550	610	4	40	20-33	720	1676	750		
600	800	700	650	715	5	42	20-36	800	1864	900		
700	900	800	750	810	5	42	24-36	800	2053	1600		
800	1000	900	850	910	5	42	24-39	950	2400	2100		
40	240	150	110	86	3	18	4-18	200	300	17		
50	250	165	125	102	3	20	4-18	280	358	19		
65	270	185	145	122	3	22	8-18	280	375	27.5		
80	280	200	160	138	3	20	8-18	350	433	34.5		
100	300	220	180	158	3	24	8-22	360	502	43		
125	325	235	200	188	3	26	8-26	400	612	72		
150	350	250	220	212	3	28	8-26	400	676	79		
200	400	300	265	240	3	30	12-26	400	820	123		
250	450	350	305	320	3	32	12-30	450	969	150		
300	500	400	350	378	4	34	16-30	560	1142	300		
350	550	450	400	470	4	38	16-33	640	1290	415		
400	600	500	450	525	4	40	16-36	640	1452	480		
500	700	600	550	610	4	44	20-36	720	1676	840		
600	800	700	650	715	5	46	20-39	800	1864	915		

Fig: Z4115H

◆ 德标3202 F7明杆铸钢闸阀 DIN 3202 F7 Rising Stem Cast Steel Gate Valve

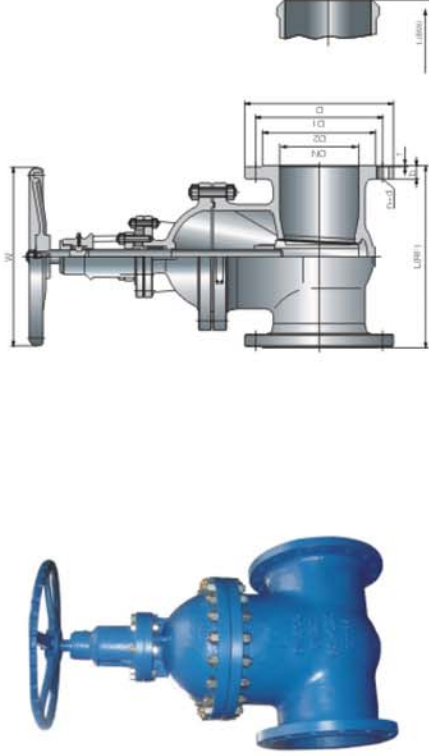


◆ 主要尺寸及重量 Main Dimensions And Weight

PN	DN	L (RF)	L (BW)	D	D1	D2	f	b	n-f	W	H	W (RF, KG)
40	40	240	150	110	86	3	18	4-18	200	323	17	
	50	250	165	125	102	3	20	4-18	280	372	19	
	65	290	230	185	145	122	3	22	8-18	280	395	27.5
	80	310	310	200	160	138	3	24	8-18	320	457	38
	100	350	350	235	190	162	3	24	8-22	360	552	56
	125	400	400	270	220	188	3	26	8-26	400	634	95
	150	450	450	300	250	218	3	28	8-26	400	708	104
	200	550	550	375	320	285	3	34	12-30	450	858	184
	250	650	650	450	385	345	3	38	12-33	560	1015	352
	300	750	750	515	450	410	4	42	16-33	640	1203	470
	350	850	850	580	510	465	4	46	16-36	640	1341	680
	400	950	950	660	585	535	4	50	16-39	720	1492	910
500	1150	1150	755	670	615	4	52	20-42	950	1790	1450	
40	240	150	110	86	3	18	4-18	200	360	19		
50	250	165	125	102	3	20	4-18	280	404	20		
65	290	290	205	160	122	3	26	8-22	280	456	35	
80	310	310	215	170	138	3	28	8-22	320	504	52	
100	350	350	250	200	162	3	30	8-26	360	553	66	
125	400	400	295	240	188	3	34	8-30	400	638	103	
150	450	450	345	280	218	3	36	8-33	450	718	140	
200	550	550	415	345	285	3	42	12-36	560	873	230	
250	650	650	470	400	345	3	46	12-36	640	1053	410	
300	750	750	530	460	410	4	52	16-36	640	1203	510	
350	850	850	600	525	465	4	56	16-39	720	1394	780	
400	950	950	670	585	535	4	60	16-42	800	1645	940	
500	1150	1150	800	705	615	4	68	20-48	950	2285	1600	

Fig: Z4117H

◆ 德标3202 F5/F15暗杆铸钢闸阀 DIN 3202 F5/F15 Non-Rising Stem Cast Steel Gate Valve

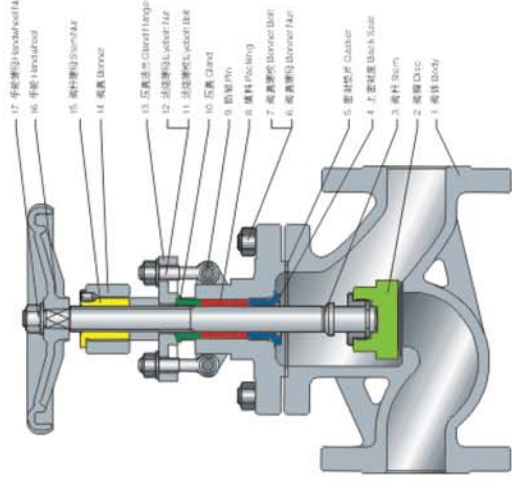


◆ 主要尺寸及重量 Main Dimensions And Weight

Fig: Z4515HZ45115H

PN	DN	L (RF)	L (BW)	D	D1	D2	i	b	n-j	W	H	W (RF)	W (BW)
2.5	40	240	240	150	110	88	3	18	4-18	200	320	19	
	50	250	250	165	125	102	3	20	4-18	200	325	20	
	65	270	270	185	145	122	3	22	8-18	200	363	30	
	80	280	280	200	160	138	3	24	8-18	250	415	39	
	100	300	300	235	190	162	3	24	8-22	300	453	58	
	125	325	300	270	220	188	3	26	8-26	350	505	80	
	150	350	300	300	250	218	3	28	8-26	400	556	101	
	200	400	460	360	310	278	3	30	12-26	450	744	190	
	250	450	500	425	370	335	3	32	12-30	500	864	230	
	300	500	630	485	430	395	4	34	16-30	550	948	405	
	350	550	680	555	490	450	4	38	16-33	600	1012	510	
	400	600	750	630	550	505	4	40	16-36	640	1180	650	
500	700	880	730	600	615	4	44	20-36	720	1320	960		
600	800	1000	800	670	690	4	48	24-36	800	1460	1180		
700	900	1150	900	750	770	4	52	24-42	900	1620	1400		
800	1000	1300	1000	830	850	4	56	28-42	1000	1800	1650		
900	1100	1450	1100	910	930	4	60	28-48	1100	2000	1900		
1000	1200	1600	1200	1000	1020	4	64	32-48	1200	2200	2150		
4.0	150	390	390	200	140	110	3	20	4-18	200	325	22	
	200	450	450	230	160	125	3	22	8-18	200	363	31	
	250	500	500	260	180	140	3	24	8-18	250	415	41.5	
	300	550	550	290	200	160	3	24	8-26	300	453	61	
	350	600	600	320	220	180	3	26	8-26	350	505	83	
	400	650	650	350	240	200	3	28	8-26	400	556	110	
	450	700	700	380	260	220	3	30	12-30	450	607	140	
	500	750	750	410	280	240	3	32	12-33	500	658	170	
	550	800	800	440	300	260	3	34	16-33	550	710	200	
	600	850	850	470	320	280	3	36	16-33	600	762	230	
	650	900	900	500	340	300	3	38	16-33	650	814	260	
	700	950	950	530	360	320	3	40	16-36	700	866	290	

◆ 德标EN13709直通式铸钢截止阀 DIN EN13709 Straight Cast Steel Globe Valve



◆ 技术规范 Technical Specification:

1. 设计和制造 Design and Manufacture: EN13709
2. 试验和测试 Inspection and Test: ISO 5208, EN12286
3. 法兰尺寸 Flanged ends dimension: EN 1092-1, DIN2544 PN25, DIN2545 PN40, DIN2546 Pn64
4. 对焊尺寸 Butt-welded ends dimension: EN12627
5. 结构长度 Face to face and end to end: DIN 3202, EN 558-1, ISO 5752
6. 压力-温度额定值 Pressure-temperature ratings: DIN 2401

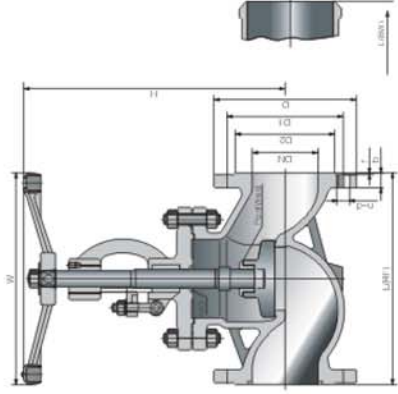
◆ 主要零部件材质 Main Parts Material

序号 NO	零件名称 Part Name	碳钢系列 Carbon steel			合金钢系列 Alloy Steel			不锈钢系列 Stainless steel		
		WCB	LCB	WC3	WC3	WC3	CF8	CF8M	CF8M	
1	阀体 Body	A216 WCB	A352 LCB	A217 WC9	A217 WC9	A351 CF8	A182 F304	A182 F316		
2	阀瓣 Disc	A105	A350 LF2	A182 F22	A182 F22	A182 F304	A182 F316			
3	阀杆 Stem	A182 F6	A182 F6	A182 F304	A182 F304	A182 F304	A182 F316			
4	密封垫片 Back Seal	A182 F6	A182 F6	A182 F304	A182 F304	A182 F304	A182 F316			
5	密封垫片 Gasket	柔性石墨 Soft Graphite+SS304								
6	阀盖螺母 Bonnet Nut	A194 2H	A194 4	A194 7	A194 7	A194 8	A194 8M			
7	阀盖螺栓 Bonnet Bolt	A193 B7	A193 L7	A193 B16	A193 B16	A193 B8	A193 B8M			
8	填料 Packing	柔性石墨 Soft Graphite or PTFE								
9	轴销 Pin	A278 TYPE 410								
10	阀盖 Gland	A182 F6	A182 F6	A182 F6	A182 F6	A182 F304	A182 F316			
11	连接螺母 Eyebolt Nut	A193 B7	A193 B7	A193 B7	A193 B7	A193 B8	A193 B8			
12	连接螺母 Eyebolt Nut	A194 2H	A194 2H	A194 2H	A194 2H	A194 8	A194 8			
13	法兰 Flange	A216 WCB	A216 WCB	A216 WCB	A216 WCB	A351 CF8	A351 CF8			
14	阀盖 Bonnet	A216 WCB	A352 LCB	A217 WC9	A217 WC9	A351 CF8	A351 CF8M			
15	阀杆螺母 Stem Nut	碳钢 Carbon Steel								
16	手轮螺母 Handwheel Nut	球墨铸铁或铸钢 Ductile Iron or Steel								
17	手轮 Handwheel	碳钢 Carbon Steel								

Stone Valve

德标铸钢截止阀 DIN Cast Steel Globe Valve

◆ 德标3202 F1铸钢截止阀 DIN 3202 F1 Cast Steel Globe Valve



◆ 主要尺寸及重量 Main Dimensions And Weight

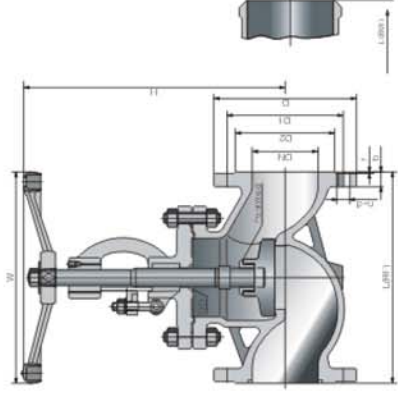
PN	DN	L (RF)	L (BW)	D	D1	D2	f	b	n-d	W	H	WT (RF-KG)
2.5	15	130	130	95	65	45	4-14	16	2	120	218	4.8
	20	160	160	105	75	58	4-14	18	2	120	258	5.7
	25	160	160	115	85	68	4-14	18	2	140	275	6.6
	32	180	180	140	100	78	4-18	18	2	140	280	8.5
	40	200	200	150	110	88	4-18	18	3	160	300	12
	50	230	230	165	125	102	4-18	20	3	180	350	18
	65	290	290	185	145	122	8-18	22	3	180	355	25.6
	80	310	310	200	160	138	8-18	24	3	200	400	31.8
	100	360	360	235	190	162	8-22	24	3	250	415	46
	125	400	400	270	220	188	8-26	26	3	300	460	65.5
100	150	450	450	300	250	218	8-26	28	3	300	510	93
	200	600	600	360	310	278	12-26	30	3	400	710	162
	250	730	730	425	370	335	12-30	32	3	450	768	304
	300	860	860	485	430	395	16-30	34	4	500	925	399
	15	130	130	95	65	45	4-14	16	2	120	233	5
	20	160	160	105	75	58	4-14	18	2	140	275	6
	25	160	160	115	85	68	4-14	18	2	140	295	7
	32	180	180	140	100	78	4-18	18	2	160	302	9
	40	200	200	150	110	88	4-18	18	3	180	355	12.5
	50	230	230	165	125	102	4-18	20	3	180	373	18.75
40	65	290	290	185	145	122	8-18	22	3	200	408	27
	80	310	310	200	160	138	8-22	24	3	250	436	33.5
	100	360	360	235	190	162	8-26	24	3	300	480	48.5
	125	400	400	270	220	188	8-26	26	3	360	558	69
	150	450	450	300	250	218	8-26	28	3	360	611	97.75
	200	600	600	375	320	285	12-30	34	3	450	720	170
	250	730	730	450	385	345	12-33	36	3	500	768	300
	300	860	860	515	450	410	16-33	42	4	550	925	420

Fig: J4101H

德标铸钢截止阀 DIN Cast Steel Globe Valve

Stone Valve

◆ 德标3202 F2铸钢截止阀 DIN 3202 F2 Cast Steel Globe Valve



◆ 主要尺寸及重量 Main Dimensions And Weight

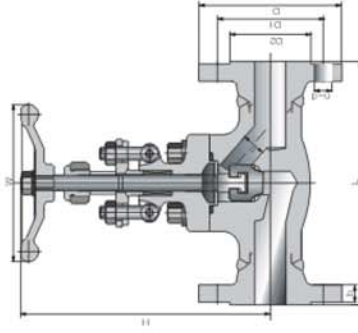
PN	DN	L (RF)	L (BW)	D	D1	D2	f	b	n-d	W	H	WT (RF-KG)
6.4	15	210	210	105	75	45	4-14	20	2	140	195	10
	20	230	230	130	90	52	4-18	20	2	140	228	13
	25	230	230	140	100	68	4-18	24	2	160	275	14.5
	32	260	260	155	110	75	4-22	24	3	180	325	19
	40	260	260	170	125	88	4-22	28	3	200	360	25
	50	300	300	180	135	102	4-22	26	3	200	410	35
	65	340	340	205	160	122	8-22	26	3	250	450	48
	80	380	380	215	170	138	8-22	28	3	280	485	56
	100	430	430	250	200	162	8-26	30	3	300	537	125
	125	500	500	295	240	188	8-30	34	3	360	631	131
100	150	550	550	345	280	218	8-33	36	3	400	646	157
	200	650	650	415	345	285	12-36	42	3	450	813	283
	40	260	260	170	125	88	4-22	28	3	200	359	29
	50	300	300	195	145	102	4-26	30	3	200	414	49
	65	340	340	220	170	122	8-26	34	3	250	434	65
	80	380	380	230	180	138	8-26	36	3	280	547	96
	100	430	430	265	210	162	8-30	40	3	300	621	115
	125	500	500	315	250	188	8-33	40	3	360	732	149
	150	550	550	355	290	218	12-33	44	3	400	842	310
	200	650	650	430	360	285	12-36	52	3	450	925	590
160	40	260	260	170	125	88	4-22	28	3	200	359	32
	50	300	300	195	145	102	4-26	30	3	200	414	52
	65	340	340	220	170	122	8-26	34	3	250	434	69
	80	380	380	230	180	138	8-26	36	3	280	547	98
	100	430	430	265	210	162	8-30	40	3	300	621	119
	125	500	500	315	250	188	8-33	44	3	360	732	125
	150	550	550	355	290	218	12-33	50	3	400	842	161

Fig: J4102H

Stone Valve

德标铸钢截止阀
DIN Cast Steel Globe Valve

◆ 德标锻钢截止阀 DIN Forged Steel Globe Valve



◆ 主要尺寸及重量 Main Dimensions And Weight

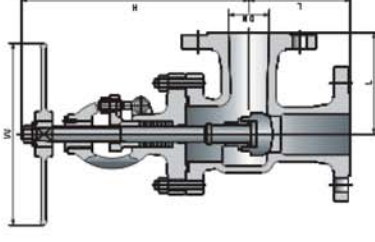
PN	DN	L	D	D1	D2	b	l	n-d	W	H	WT (FR-50)
25	15	130	95	65	45	16	4-14	2	100	164	4.3
	20	150	105	75	58	18	4-14	2	100	164	4.8
	25	160	115	85	68	18	4-14	2	125	203	6.3
	32	180	140	100	78	18	4-18	2	160	224	7.8
	40	200	150	110	88	18	4-18	3	160	200	10.3
40	50	230	165	125	102	20	4-18	3	180	300	12.6
	15	130	95	65	45	16	4-14	2	100	164	4.3
	20	150	105	75	58	18	4-14	2	100	164	4.8
	25	160	115	85	68	18	4-14	2	125	203	6.3
	32	180	140	100	78	18	4-18	2	160	224	7.8
64	40	200	150	110	88	18	4-18	3	160	200	10.3
	50	230	165	125	102	20	4-18	3	180	300	12.6
	15	210	105	75	45	20	4-14	2	100	164	8
	20	230	130	90	52	20	4-18	2	100	164	9.5
	25	230	140	100	68	24	4-18	2	125	203	11
100	32	260	155	110	75	24	4-22	3	160	224	12.5
	40	260	170	125	88	28	4-22	3	160	200	16.5
	50	300	180	135	102	26	4-22	3	180	300	20.5
	15	210	105	75	45	20	4-14	2	125	207	11
	20	230	130	90	52	20	4-18	2	125	207	13.2
160	25	230	140	100	68	24	4-18	2	160	230	14
	32	260	155	110	75	24	4-22	3	160	260	15
	40	260	170	125	88	28	4-22	3	160	300	29
	50	300	195	145	102	30	4-26	3	200	365	35
	15	210	105	75	45	20	4-14	2	125	207	12.2
250	20	230	130	90	52	20	4-18	2	125	207	15
	25	230	140	100	68	24	4-18	2	160	230	17
	32	260	155	110	75	24	4-22	3	160	260	21.4
	40	260	170	125	88	28	4-22	3	160	300	32
	50	300	195	145	102	30	4-26	3	200	365	38

Fig: J4101HJ4102H

德标铸钢截止阀
DIN Cast Steel Globe Valve

Stone Valve

◆ 德标3202角式截止阀 DIN 3202 F32 Angle Globe Valve

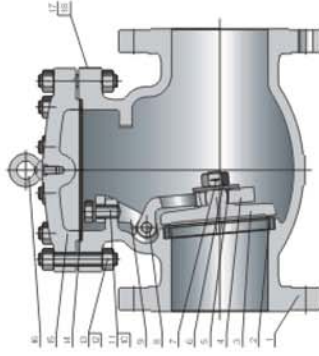


◆ 主要尺寸及重量 Main Dimensions And Weight

Pressure(MPa)	Size	mm	PN1, 5MPa	PN1, 6MPa	PN1, 10MPa	PN1, 15MPa	PN1, 20MPa	PN1, 25MPa	PN1, 32MPa	PN1, 40MPa	PN1, 50MPa	PN1, 65MPa	PN1, 80MPa	PN1, 100MPa	PN1, 125MPa	PN1, 150MPa	PN1, 200MPa	PN1, 250MPa	
2.5	L	90	95	100	105	115	250	270	290	330	360	390	460	530	530	530	530	530	530
	H	246	260	276	285	300	305	354	402	437	496	541	699	815	815	815	815	815	815
	W	120	140	160	160	180	200	200	200	200	250	300	360	400	450	450	450	450	450
4.0	Weight(kg)	6	7.5	8	9	14	22	27	38	55	82	105	220	230	230	230	230	230	230
	Pressure(MPa)	15	20	25	32	40	50	65	80	100	125	150	200	250	250	250	250	250	250
	Size	90	95	100	105	115	250	270	290	330	360	390	460	530	530	530	530	530	530
6.4	H	246	260	276	285	300	305	354	402	437	496	541	699	744	744	744	744	744	744
	W	120	140	160	160	180	200	200	200	200	250	300	360	400	450	450	450	450	450
	Weight(kg)	6	7.5	8	9	14	22	27	38	55	82	105	220	230	230	230	230	230	230
10.0	Pressure(MPa)	15	20	25	32	40	50	65	80	100	125	150	200	250	250	250	250	250	250
	Size	90	95	100	105	115	250	270	290	330	360	390	460	530	530	530	530	530	530
	H	246	260	276	285	300	305	354	402	437	496	541	699	744	744	744	744	744	744
16.0	W	120	140	160	160	180	200	200	200	200	250	300	360	400	450	450	450	450	450
	Weight(kg)	6	7.5	8	9	14	24	30	41	60	85	110	225	240	240	240	240	240	240
	Pressure(MPa)	15	20	25	32	40	50	65	80	100	125	150	200	250	250	250	250	250	250
25.0	Size	90	95	100	105	115	250	270	290	330	360	390	460	530	530	530	530	530	530
	H	246	260	276	285	300	305	354	402	437	496	541	699	783	783	783	783	783	783
	W	120	140	160	160	180	200	200	200	200	250	300	360	400	450	450	450	450	450
40.0	Weight(kg)	8	10	12	16	17	26	33	45	65	90	103	230	230	230	230	230	230	230

Fig: J4401H

◆ 德标铸钢旋启式止回阀 DIN Cast Steel Swing Check Valve



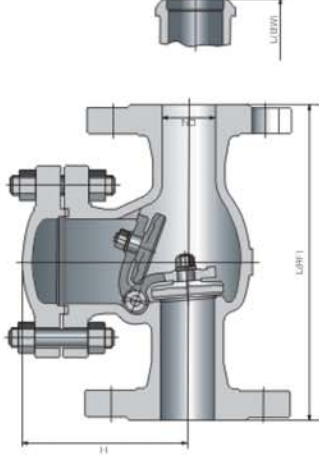
◆ 技术规范 Technical Specification:

1. 设计和制造 Design and Manufacture: DIN
2. 试验和测试 Inspection and Test: ISO 5208, EN12266
3. 法兰端尺寸 Flanged ends dimension: EN 1092-1, DIN2544 PN25, DIN2545 PN40, DIN2546 PN64
4. 对接端尺寸 Butt-welded ends dimension: EN12627
5. 压力-温度额定值 Pressure-temperature ratings: DIN 2401

◆ 主要零部件材质 Main Parts Material

序号 NO	零件名称 Part Name	碳钢系列 Carbon steel		合金钢系列 Alloy Steel		不锈钢系列 Stainless steel		
		WCB	LCB	WC6	WC9	CF8	CF8M	
1	阀体 Body	A216 WCB	A352 LCB	A217 WC6	A217 WC9	A351 CF8	A351 CF8M	
2	阀座 Seat	13Cr	SS304	SS304	SS304	SS304	SS316	
3	阀瓣 Disc	A105	A350 LF2	A182 F11	A182 F22	A182 F304	A182 F316	
4	销轴 Pin	A216 WCB	A352 LCB	A217 WC6	A217 WC9	A351 CF8	A351 CF8M	
5	垫片 Washer	SS304	SS304	SS304	SS304	SS304	SS316	
6	螺母 Nut	A194 2H	A194 4	A194 7	A194 7	A194 8	A194 8M	
7	销轴 Pin	A216 WCB	A352 LCB	A217 WC6	A217 WC9	A351 CF8	A351 CF8M	
8	支杆销 Arm Pin	SS410	SS304	SS410	SS410	SS304	SS316	
9	支架 Yoke	A216 WCB	A352 LCB	A217 WC6	A217 WC9	A351 CF8	A351 CF8M	
10	弹性垫圈 Elastic Washer	SS304	SS304	SS304	SS304	SS304	SS316	
11	六角螺母 Hex Nut	A194 2H	A194 4	A194 7	A194 7	A194 8	A194 8M	
12	阀盖螺母 Bonnet Nut	A194 2H	A194 4	A194 7	A194 7	A194 8	A194 8M	
13	阀盖螺栓 Bonnet Bolt	A193 B7	A193 L7	A193 B16	A193 B16	A193 B8	A193 B8M	
14	密封垫片 Gasket	柔性石墨 Soft Graphite+SS304						
15	阀盖衬垫 Eye-bolt	A216 WCB	A352 LCB	A217 WC6	A217 WC9	A351 CF8	A351 CF8M	
16	吊环螺栓 Eye-bolt Bolt	碳钢 Carbon Steel						

◆ 德标铸钢旋启式止回阀 DIN Cast Steel Swing Check Valve



◆ 主要尺寸 Main Dimensions

Fig: H4486/H4487/H44801

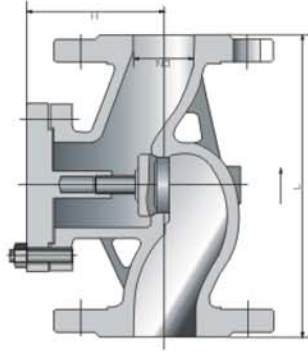
Pressure 压力(MPa)		PN25											
DN	mm	40	50	65	80	100	125	150	200	250	300	350	400
L (RF)- F5		180	200	240	260	300	350	400	500	600	700	800	900
L (BW)		180	200	240	260	300	350	400	500	600	700	800	900
H		129	147	161	178	190	205	265	345	394	421	458	526

Pressure 压力(MPa)		PN40											
DN	mm	40	50	65	80	100	125	150	200	250	300	350	400
L (RF)- F1		200	230	290	310	350	400	460	600	730	850	980	1100
L (RF)- F7		240	250	290	310	350	400	450	550	650	750	850	950
L (BW)		200	230	290	310	350	400	460	550	650	750	850	950
H		129	160	175	210	240	265	270	350	415	435	518	560

Pressure 压力(MPa)		PN64											
DN	mm	40	50	65	80	100	125	150	200	250	300	350	400
L (RF)- F2		260	300	340	380	430	500	550	650	775	900	1025	1400
L (BW)		260	300	340	380	430	500	550	650	775	900	1025	1400
H		168	165	173	210	245	300	335	390	432	520	574	680

Pressure 压力(MPa)		PN100											
DN	mm	40	50	65	80	100	125	150	200	250	300	350	400
L (RF)- F2		260	300	340	340	380	430	500	550	650	775	850	900
L (BW)		260	300	340	340	380	430	500	550	650	775	850	900
H		195	205	224	224	236	272	305	345	398	456	456	528

◆ 德标3356升降式止回阀 DIN 3356 Lift Check Valve



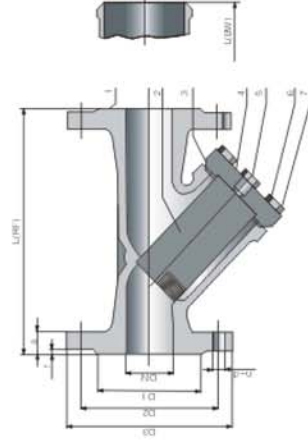
◆ 主要尺寸及重量 Main Dimensions And Weight

Pressure 压力(MPa)	PN1.6MPa										
	50	65	80	100	125	150	200	250	300	350	400
DN	230	290	310	350	400	480	600	730	850	980	1100
L	305	354	402	437	495	541	609	815	914	1189	1330
H	10	20	30	39	50	70	161	251	395	500	618
重量 Weight(kg)											

Pressure 压力(MPa)	PN2.5MPa										
	50	65	80	100	125	150	200	250	300	350	400
DN	230	290	310	350	400	480	600	730	850	980	1100
L	325	363	415	453	505	556	744	864	948	1269	1450
H	12	22	33	44	55	76	180	270	410	520	650
重量 Weight(kg)											

Fig: H41

◆ 德标F1铸钢Y型过滤器 DIN 3202 F1 Cast Steel Y- Strainer



◆ 技术规范 Technical Specification:

- 1、压力-温度额定值 Pressure-temperature ratings: DIN 2401
- 2、试验和测试 Inspection and Test: ISO 5208, DIN 3230
- 3、法兰端尺寸 Flanged ends dimension: EN 1092-1, DIN2545 PN40
- 4、对焊端尺寸 Butt-welded ends dimension: DIN 3239
- 5、结构长度 Face to face and end to end: DIN 3202 F1, EN 558-11 serial

◆ 主要零部件材质 Main Parts Material

序号 NO	零件名称 Part Name	材质 Material		
		WCBS3304	CF8M/SS316	CF8M/SS316
1	阀体 Body	A216 GR WCB	A351CF8	A351CF8M
2	网 Screen	A276 Type 304	A276Type304	A276Type316
3	垫片 Gasket	SS304+Graphite	SS304+Graphite	SS304+Graphite
4	阀盖 Bonnet	A216GRWCB	A351CF8	A351CF8M

序号 NO	零件名称 Part Name	材质 Material		
		WCBS3304	CF8M/SS316	CF8M/SS316
5	塞子 Plug	ASTM A105	A192FC04	A192F3 16
6	螺塞螺帽 Bonnnet Bolt	A192GRLE7	A192GRLE7	A192GRLE7
7	螺塞螺母 Bonnnet Nut	A194GR2H	A194GR2H	A194GR2H

Note: 1). Spiral wound construction.

◆ 主要尺寸及重量 Main Dimensions And Weight

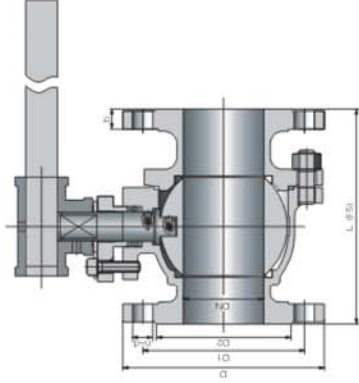
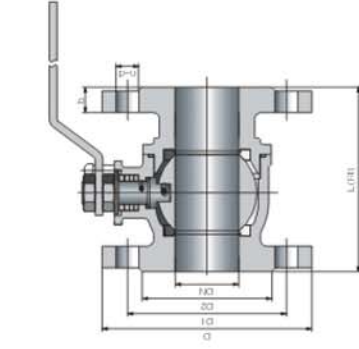
DN	L (RF)	L (BW)	D	D'	D2	n-f	b	f	H	Kg
15	130	130	95	65	45	4-14	16	2	85	4
20	150	150	105	75	56	4-14	18	2	95	5
25	160	160	115	85	66	4-14	18	2	110	6
32	180	180	140	100	78	4-18	18	2	125	8
40	200	200	150	110	88	4-18	18	3	145	10
50	230	230	165	125	102	4-18	20	3	155	13
65	290	290	185	145	122	8-18	22	3	175	19
80	310	310	200	160	138	8-22	24	3	210	24.5
100	350	350	235	190	162	8-26	24	3	230	35
125	400	400	270	220	188	8-26	26	3	270	51
150	450	450	300	250	218	8-26	28	3	300	71
200	600	600	375	320	285	12-30	34	3	385	144
250	730	730	450	385	345	12-33	38	3	535	178
300	850	850	515	450	410	16-33	42	4	680	285

Fig: S101F-40

Stone Valve

德标铸钢球阀 DIN Cast Steel Ball Valve

◆ 德标浮动球阀 DIN Floating Ball Valve



◆ 技术规范 Technical Specification:

1. 设计和制造 Design and Manufacture: DIN 3357
2. 试验和测试 Inspection and Test: ISO 5208, EN 12266
3. 法兰端尺寸 Flanged ends dimension:
 - EN 1092-1, DIN2544 PN25, DIN2545 PN40
4. 结构标准 Face to face and end to end: DN15- DN50 DIN 3202 F4, EN 558-1 14 Series, DN65- DN200 DIN3202 F5, EN 558-1 15 Series
5. 压力-温度额定值 Pressure-temperature ratings: DIN 2401

◆ 主要尺寸及重量 Main Dimensions And Weight

PN	DN	L (RF)	D	D1	D2	b	n-d	f	W (RF-KG)
25	15	115	95	65	45	4-14	16	2	85
	20	120	105	75	58	4-14	18	2	90
	25	125	115	85	68	4-14	18	2	99
	32	130	140	100	78	4-18	18	2	105
	40	140	150	110	88	4-18	18	3	126
	50	150	165	125	102	4-18	20	3	142
	65	270	185	145	122	8-18	22	3	165
	80	280	200	160	138	8-18	24	3	178
	100	300	235	190	162	8-22	24	3	230
	125	325	270	220	188	8-26	26	3	280
40	150	350	300	250	218	8-26	28	3	310
	200	400	360	310	278	12-26	30	3	350
	15	115	95	65	45	4-14	16	2	85
	20	120	105	75	58	4-14	18	2	90
	25	125	115	85	68	4-14	18	2	99
	32	130	140	100	78	4-18	18	2	105
	40	140	150	110	88	4-18	18	3	126
	50	150	165	125	102	4-18	20	3	142
	65	270	185	145	122	8-18	22	3	165
	80	280	200	160	138	8-18	24	3	178

Fig: O41F



Bellow Valve Series 波纹管阀门系列



Stone Valve



◆ 用途 Purpose

德标波纹管截止阀适用于公称压力PN1.6~16MPa，工作温度-29~350℃的石油、化工、制药、化肥、电力行业等各种工况的管路上，切断或接通管路介质。

Stop valve bellow seal acc. to DIN is applicable to the cutting and connection of pipelines medium that are used in various industries such as petroleum, chemical industry, pharmacy, chemical fertilizer, electric power industry etc under nominal pressure of PN1.6~16MPa and working temperature of -29~350°C

◆ 结构特点 Structural Features

1. 产品结构合理，密封可靠，性能优良，造型美观；
2. 密封面堆焊Co基硬质合金，耐磨，耐腐，抗磨擦性能好，使用寿命长；
3. 阀杆润质及表面氮化处理，有良好的抗腐和抗磨擦性能；
4. 双罩密封，性能更可靠；
5. 阀杆升降位置指示，更直观；
6. 零件材质，法兰和对焊端尺寸可根据实际工况或用户要求合理选配，满足各种工程需要。

1. This product has logical structure, reliable seal, excellent performance and nice design.
2. The seal surface is build-up welding with Co hard alloy, which is attrition-resistant, corrosion-resistant, has good friction resistant and long life.

3. The stem quenched and tempered, and its surface is treated by nitriding treatment, thus it has good corrosion resistant and friction resistant.

4. It has double seal capability, thus is more reliable.

5. The stem may show the position of lift, thus it is clearer.

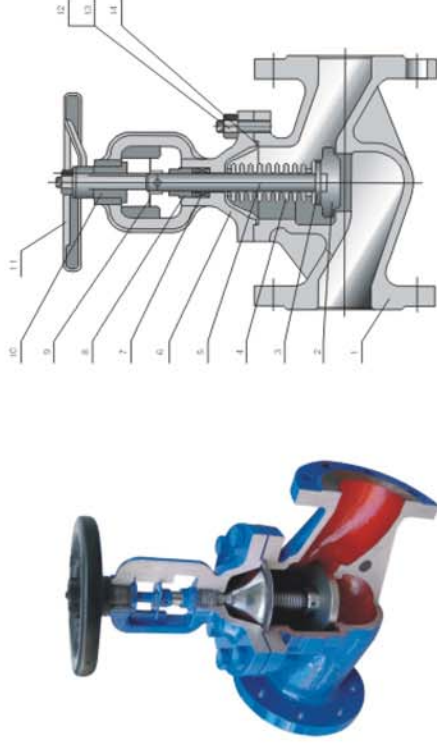
6. The part material, flange and butt weld end dimension may be selected according to current operating condition and users' requi-remnt, so that meeting the requirements of various engineering.

◆ 技术规范 Technical Specification

结构形式 Structural formation	BB-BG-QS & Y
驱动方式 Driving manner	手动 Hand-operated 电动 Electric-actuated
设计标准 Design standard	EN13709
结构长度 Face to face	DIN3202, EN658-1
五通法兰 Flange ends	DIN2543-2545, EN1092-1
试验和检验 Test & inspection	DIN3230, EN12266

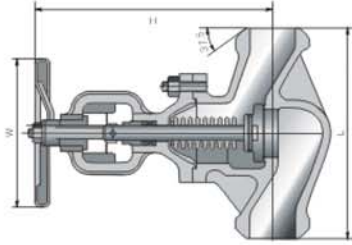
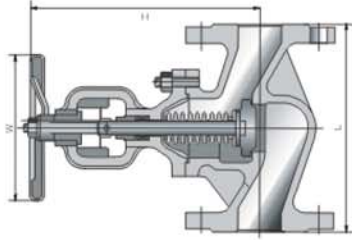
◆ 产品性能规范 Products Performance Specification

公称压力(Nominal pressure)	壳体试验压力(MPa) Shell test.	密封试验压力(MPa) Sealing test.	适用温度(Suitable temp.)	使用介质(Suitable medium)
1.6	2.4	1.76		
2.5	3.75	2.75	≤350°C	水、蒸汽、油品等 Water, oil & gas
4.0	6.0	4.4		
6.4	9.6	7.04		



◆ 主要零部件材质 Main Parts Materials

序号NO.	名称 Part name	材 质 Material
1	阀体 Body	GS-C25 1.7383, 1.4308, 1.4408, 1.4306, 1.4301
2	阀瓣 Disc	ASTM A182-G-F6a, ASTM A182-F22 ASTM A182-F304, F316, F321, F304L, F316L
3	轴销 Pin	ASTM A182-G-F6a, ASTM A182-F22 ASTM A182-F304, F316, F321, F304L, F316L
4	双罩密封件 Bellow assemble	1Cr18Ni9Ti, 304, 316
5	阀杆 Stem	ASTM A182-G-F6a, ASTM A182-F22 ASTM A182-F304, F316, F321, F304L, F316L
6	阀盖 Bonnet	GS-C25 1.7383, 1.4308, 1.4408, 1.4306, 1.4301
7	填料 Packing	柔性石墨 Flexible graphite, PTFE
8	填料压盖 Gland	GS-C25 1.7383, 1.4308, 1.4408, 1.4306, 1.4301
9	定位片 Guide piece	25, 45, 304, 316
10	阀杆螺母 Yoke nut	铜合金 ZDA19-4
11	手轮 Handwheel	WCB, QT400-18
12	双头螺栓 Bolt	ASTM A193-B7, A193-B8, A193-B9M
13	六角螺母 Nut	ASTM A194-B, A194-8, A194-8M
14	垫片 Gasket	柔性石墨+不锈钢 Flexible graphite+stainless steel, PTFE



◆ 主要尺寸及重量 Main Dimension And Weight

型号/Model	MLDWJH-16														
压力等级/Pressure	PN16														
口径/Size	15	20	25	32	40	50	65	80	100	125	150	200	250	300	350
L	130	150	160	180	200	230	290	310	350	400	480	600	730	850	980
H	195	200	220	225	235	250	290	265	370	400	515	550	600	630	680
W	130	130	130	130	150	150	180	180	200	200	400	450	450	500	500
重量(Kg)/Weight	4	4.5	5	7	9	12.5	18	23	41	54	90	160	260	410	610

型号/Model	MLDWJH-25														
压力等级/Pressure	PN25														
口径/Size	15	20	25	32	40	50	65	80	100	125	150	200	250	300	350
L	130	150	160	180	200	230	290	310	350	400	480	600	730	850	980
H	195	200	220	225	235	250	290	265	370	400	515	550	600	630	680
W	130	130	130	130	150	150	180	180	200	200	400	450	450	500	500
重量(Kg)/Weight	4	4.5	5	7.5	9.5	13	19	24	43	57	95	168	300	510	680

型号/Model	MLDWJH-40														
压力等级/Pressure	PN40														
口径/Size	15	20	25	32	40	50	65	80	100	125	150	200	250	300	350
L	130	150	160	180	200	230	290	310	350	400	480	600	730	850	980
H	195	200	220	225	235	250	290	265	370	400	515	550	600	630	680
W	130	130	130	130	150	150	180	180	200	200	400	450	450	500	500
重量(Kg)/Weight	4	4.5	5	8	10	13.5	20	25	45	60	98	171	340	580	780

◆ 产品结构特点 Product Structural Features

Y型直流式波纹管截止阀适用于公称压力PN1.6-16MPa，工作温度-29-350℃的石油、化工、制药、化肥、电力行业等各种工况的管路上，切断或接通管路介质。

Y-type stop valve with bellow seal acc.to DIN is applicable to the cutting and connection of pipelines medium that are used in various industries such as petroleum,chemical industry,phar-macy,chemical fertilizer,electric power industry etc under nominal pressure of PN1.6-16MPa and working temperature of -29-350℃

◆ 其主要结构特点 Main Structural Features

- 1、产品结构合理、密封可靠、性能优良、造型美观；
- 2、密封面堆焊Co基硬质合金、耐磨、耐腐蚀、抗摩擦性能好、使用寿命长；
- 3、阀杆调质及表面氮化处理，有良好的抗腐蚀和抗摩擦性能；
- 4、双重密封，性能更可靠；
- 5、阀杆升降位置指示，更直观；
- 6、流阻小、压降低。
- 7、零件材质、法兰和对焊端尺寸可根据实际工况或用户要求合理选配，满足各种工程需要。

- 1、This product has logical structure, reliable seal, excellent performance and nice design.
- 2、The seal surface is build-up welding with Co hard alloy, which is attrition-resistant, corrosion-resistant, has good friction resistant and long life.
- 3、The stem is quenched and tempered, and its surface is treated by nitriding treatment, thus it has good corrosion resistant and friction resistant.
- 4、It has double seal capability, thus is more reliable.
- 5、The stem may show the position of lift, thus it is clearer.
- 6、Small flowing resistance and low pressure drop
- 7、The part material, flange and butt weld end dimension may be selected according to current operating condition and users' requirement, so that meet the requirements of various engineering.

◆ 技术规范 Technical Specification

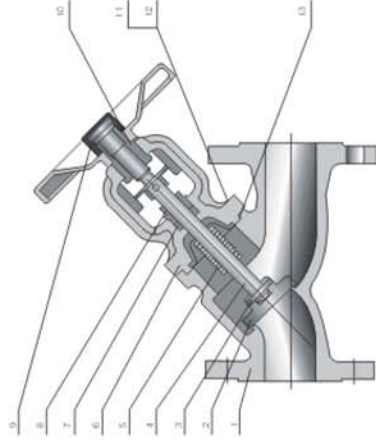
结构形式 Structural formotion	BB-B6-OS & Y
驱动方式 Driving manner	手动 Hand-operated 电动 Electric-actuated
设计标准 Design standard	EN13709
结构长度 Face to face	DIN3202, EN558-1
连接法兰 Flange ends	DIN2543-2545, EN1092-1
试验和检验 Test & inspection	EN12266

◆ 产品性能规范 Products Performance Specification

公称压力(MPa) Nominal pressure	壳体公称压力(MPa) Shell test	密封试验压力(MPa) Sealing test	适用温度(℃) Suitable temp.	使用介质 Suitable medium
1.6	2.4	1.76	≤350℃	水、蒸气、油品等 Water oil & gas
2.5	3.75	2.75		
4.0	6.0	4.4		
6.4	9.6	7.04		

Stone Valve

德标Y型直流式波纹管截止阀
Y-Type Globe Valve With Bellow Seal Acc. to DIN

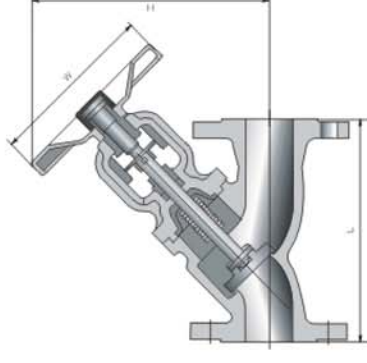


◆主要零件材质 Main Parts Materials

序号 NO.	名称 Part name	材质 Material
1	阀体 Body	GS-C25 1.7363, 1.4308, 1.4408, 1.4306, 1.4301
2	阀瓣 Disc	ASTM A182-GF6a, ASTM A182-F22 ASTM A182-F304, F316, F321, F304L, F316L
3	轴销 Pin	ASTM A182-GF6a, ASTM A182-F22 ASTM A182-F304, F316, F321, F304L, F316L
4	阀杆 Stem	ASTM A182-GF6a, ASTM A182-F22 ASTM A182-F304, F316, F321, F304L, F316L
5	波纹管组件 Bellow assembly	1C-18NPT, 304, 316
6	阀盖 Bonnet	GS-C25 1.7363, 1.4308, 1.4408, 1.4306, 1.4301
7	填料 Packing	柔性石墨 Flexible graphite, PTFE
8	填料压盖 Gland	GS-C25 1.7363, 1.4308, 1.4408, 1.4306, 1.4301
9	手轮 Handwheel	WCB, QT400-18
10	阀杆螺母 Yoke nut	铜合金 ZQA19-4
11	双头螺栓 Bolt	ASTM A193-B7, A193-B8, A193-B8M
12	六角螺母 Nut	ASTM A194-2H, A194-8, A194-8M
13	垫片 Gasket	柔性石墨, 不锈钢 Flexible graphite+stainless steel, PTFE

Stone Valve

德标Y型直流式波纹管截止阀
Y-Type Globe Valve With Bellow Seal Acc. to DIN



◆主要尺寸及重量 Main Dimension And Weight

型号 Model	MLDW45-16														
	PN16														
压力等级 Pressure	15	20	25	32	40	50	65	80	100	125	150	200	250	300	350
口径 Size	130	150	160	180	200	230	260	290	310	350	400	480	600	730	980
L	195	195	200	200	230	235	260	275	350	385	445	605	730	805	880
H	120	140	140	180	200	220	260	280	300	340	400	450	450	500	500
重量 Kg Weight	4	4.5	5	7	9	12.5	18	23	41	54	90	160	260	410	610

型号 Model	MLDW45-25														
	PN25														
压力等级 Pressure	15	20	25	32	40	50	65	80	100	125	150	200	250	300	350
口径 Size	130	150	160	180	200	230	260	290	310	350	400	480	600	730	980
L	195	195	200	200	230	235	260	275	350	385	445	605	730	805	880
H	120	140	140	180	200	220	260	280	300	340	400	450	450	500	500
重量 Kg Weight	4	4.5	5	7.5	9.5	13	19	24	43	57	95	168	300	510	680

型号 Model	MLDW45-40														
	PN40														
压力等级 Pressure	15	20	25	32	40	50	65	80	100	125	150	200	250	300	350
口径 Size	130	150	160	180	200	230	260	290	310	350	400	480	600	730	980
L	195	195	200	200	230	235	260	275	350	385	445	605	730	805	880
H	120	140	140	180	200	220	260	280	300	340	400	450	450	500	500
重量 Kg Weight	4	4.5	5	8	10	13.5	20	25	45	60	98	171	340	580	780

◆ 产品结构特点 Product structural Features

德标直角式波纹管截止阀适用于公称压力PN1.6-16MPa，工作温度-29-350℃的石油、化工、制药、化肥、电力行业等各种工况的管路上，切断或接通管路介质。

Right angle bellow stop valve acc.to DIN is applicable to the cutting and connection of pipelines medium that are used invarious industries such as petroleum,chemical industry,pharmacy,chemical fertilizer,electric power industry etc under nominal pressure of PN1.6-16Mpa and working temperature of-29-350°C

◆ 其主要结构特点 Main Structural Features

1. 产品结构合理、密封可靠、性能优良、造型美观；
2. 密封面堆焊Co基硬质合金，耐磨、耐腐、抗摩擦性能好、使用寿命长；
3. 阀杆淬硬及表面氮化处理，有良好的抗腐蚀和抗摩擦性能；
4. 双室密封，性能更可靠；
5. 阀杆升降位置指示，更直观。
6. 零件材质，法兰和对焊端尺寸可根据实际工况或用户要求合理选配，满足各种工程需要。

1. This product has logical structure, reliable seal, excellent performance and nice design.

2. The seal surface is built-up welding with Co hard alloy, which is attrition-resistant, corrosion-resistant, has good friction resistant and long life.

3. The stem is quenched and tempered, and its surface is treated by nitriding treatment, thus it has good corrosion resistant and friction resistant.

4. It has double seal capability, thus is more reliable.

5. The stem may show the position of lift, thus it is clearer.

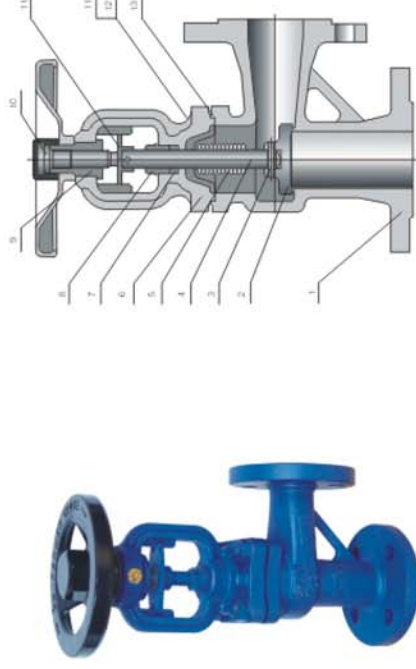
6. The part material, flange and butt weld end dimension may be selected according to current operating condition and users' requirement, so that meet the requirements of various engineering.

◆ 技术规范 Technical Specification

结构形式 Structural formation	BB-BG-QS & Y
驱动方式 Driving manner	手动 Hand-operated 电动 Electric-actuated
设计标准 Design standard	EN13709
结构长度 Face to face	DIN3202, EN658-1
五通法兰 Flange ends	DIN2543-2545, EN1092-1
试验和检验 Test & inspection	EN12266

◆ 产品性能规范 Products performance specification

公称压力(Nominal pressure)	壳体试验压力(MPa) Shell test	密封试验压力(MPa) Sealing test	适用温度(°C) Suitable temp.	使用介质 Suitable medium
1.6	2.4	1.76		
2.5	3.75	2.75		
4.0	6.0	4.4	≤350°C	水、蒸汽、油品等 Water oil & gas
6.4	9.6	7.04		

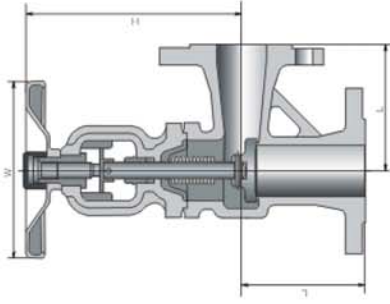


◆ 主要零部件材质 Main Parts Materials

序号 NO.	名称 Part name	材质 Material
1	阀体 Body	GS-C25 1.7383, 1.4308, 1.4408, 1.4306, 1.4301
2	阀瓣 Disc	ASTM A182-G-F6a ASTM A182-F22 ASTM A182-F304, F316, F321, F304L, F316L
3	轴销 Pin	ASTM A182-G-F6a ASTM A182-F22 ASTM A182-F304, F316, F321, F304L, F316L
4	阀杆 Stem	ASTM A182-G-F6a ASTM A182-F22 ASTM A182-F304, F316, F321, F304L, F316L
5	波纹管组件 Bellow assembly	1Cr18Ni9Ti, 304, 316
6	阀盖 Bonnet	GS-C25 1.7383, 1.4308, 1.4408, 1.4306, 1.4301
7	填料 Packing	柔性石墨 Flexible graphite, PTFE
8	填料压盖 Gland	GS-C25 1.7383, 1.4308, 1.4408, 1.4306, 1.4301
9	阀杆螺母 Yoke nut	铝合金 ZA19-4
10	手轮 Handwheel	WCB, QT400-18
11	双头螺栓 Bolt	ASTM A193-B7, A193-B8, A193-B8M
12	六角螺母 Nut	ASTM A194-2H, A194-B, A194-8M
13	垫片 Gasket	柔性石墨+不锈钢 Flexible graphite + stainless steel, PTFE

Stone Valve

德标直角波纹管截止阀
Right Angle Bellow Globe Valve Acc. to DIN



◆主要尺寸及重量 Main Dimension And Weight

型号 Model	MLDWJ44-16														
压力等级 Pressure	PN16														
口径 Size	15	20	25	32	40	50	65	80	100	125	150	200	250	300	350
L	90	95	100	105	115	125	145	155	175	200	225	275	325	375	425
H	166	166	172	175	193	195	213	227	294	325	355	440	580	620	785
W	120	140	140	180	200	230	260	280	300	340	400	450	450	500	500
重量(Kg) Weight	4	5	6	11	14	18	25	30	40	50	100	180	300	450	670

◆主要尺寸及重量 Main Dimension And Weight

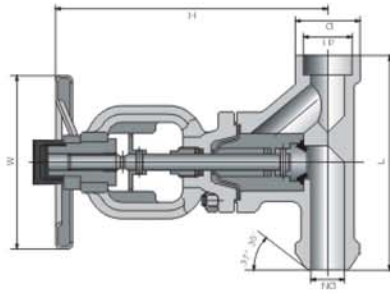
型号 Model	MLDWJ44-25														
压力等级 Pressure	PN25														
口径 Size	15	20	25	32	40	50	65	80	100	125	150	200	250	300	350
L	90	95	100	105	115	125	145	155	175	200	225	275	325	375	425
H	166	166	172	175	193	195	213	227	294	325	355	440	580	620	785
W	120	140	140	180	200	230	260	280	300	340	400	450	450	500	500
重量(Kg) Weight	4	5	6	11	14	19	27	32	43	53	110	200	330	480	700

◆主要尺寸及重量 Main Dimension And Weight

型号 Model	MLDWJ44-40														
压力等级 Pressure	PN40														
口径 Size	15	20	25	32	40	50	65	80	100	125	150	200	250	300	350
L	90	95	100	105	115	125	145	155	175	200	225	275	325	375	425
H	166	166	172	175	193	195	213	227	294	325	355	440	580	620	785
W	120	140	140	180	200	230	260	280	300	340	400	450	450	500	500
重量(Kg) Weight	4	5	6	11	14	20	28	33	45	55	120	210	350	500	730

Stone Valve

锻压波纹管截止阀
Forging And Stamping Corrugated Pipe Globe Valve



◆主要尺寸及重量 Main Dimension And Weight

型号 Model	MLDWJ44-16														
压力等级 Pressure	PN16														
口径 Size	15	20	25	32	40	50									
L	130	150	160	180	200	230									
H	174	176	207	207	210	225									
W	120	140	140	160	160	180									
重量(Kg) Weight															

◆主要尺寸及重量 Main Dimension And Weight

型号 Model	MLDWJ44-16														
压力等级 Pressure	PN16														
口径 Size	15	20	25	32	40	50									
L	130	150	160	180	200	230									
H	174	176	207	207	210	225									
W	120	140	140	160	160	180									
重量(Kg) Weight															

◆主要尺寸及重量 Main Dimension And Weight

型号 Model	MLDWJ44-16														
压力等级 Pressure	PN16														
口径 Size	15	20	25	32	40	50									
L	130	150	160	180	200	230									
H	174	176	207	207	210	225									
W	120	140	140	160	160	180									
重量(Kg) Weight															

◆ 用途 Purpose

法兰连接美标波纹管闸阀适用于公称压力 CLASS150-1500LB, 工作温度-29-350℃的石油、化工、制药、化肥、电力行业等各种工况的管路上, 切断或接通管路介质。

Gate valve with bellow seal acc. to ANSI is applicable to the cutting and connection of pipelines medium that are used in various industries such as petroleum, chemical industry, pharmacy, chemical fertilizer, electric power industry etc under nominal pressure of CLASS150-1500LB and working temperature of -29-350°C

◆ 结构特点 Structural Features

1. 产品结构合理, 密封可靠, 性能优良, 造型美观;
2. 密封面堆焊Co基硬质合金, 耐磨、耐腐蚀, 抗摩擦性能好, 使用寿命长;
3. 阀杆淬硬及表面氮化处理, 有良好的抗腐蚀和抗摩擦性能;
4. 双盘密封, 性能更可靠;
5. 阀杆升降位置指示, 更直观;
6. 零件材料及法兰, 对焊端尺寸可根据实际工况或用户要求合理选配, 满足各种工程需要。

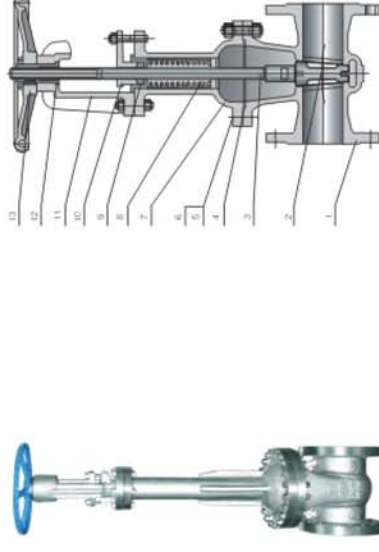
1. This product has logical structure, reliable seal, excellent performance and nice design.
2. The seal surface is build-up welding with Co hard alloy, which is attrition-resistant, corrosion-resistant, has good friction resistant and long life.
3. The stem is quenched and tempered, and its surface is treated by nitriding treatment, thus it has good corrosion resistant and friction resistant.
4. It has double seal capability, thus is more reliable.
5. The stem may show the position of lift, thus it is clearer.
6. The part material, flange and butt weld end dimension may be selected according to current operating condition and users' requirement, so that meet the requirements of various engineering.

◆ 技术规范 Technical Specification

结构形式 Structural formation	BB-BG-QS & Y
驱动方式 Driving manner	手动 Hand-operated 电动 Electric-actuated
设计标准 Design standard	API600, API6D
结构长度 Face to face	ASME B16.10, API6D
五法兰 Flange ends	ASME B16.5
试验和检验 Test & inspection	API598, API6D, API600

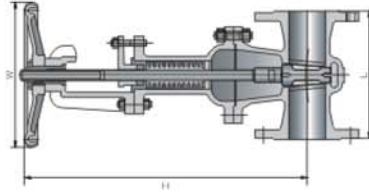
◆ 产品性能规范 Products Performance Specification

公称压力(LB) Nominal pressure	壳体试验压力(MPa) Shell test	密封试验压力(MPa) Sealing test	适用温度(°C) Suitable temp.	使用介质 Suitable medium
150	3.0	2.2		
300	7.5	5.5	<=350°C	水、蒸汽、油品等 Water, oil & gas
600	15.0	7.5		
900	22.5	16.5		



◆ 主要零部件材质 Main Parts Materials

序号NO.	名称 Part name	材质 Material
1	阀体 Body	ASTM A216-WCB ASTM A351-CF8, CF8M, CF3, CF3M
2	闸板 Disc	ASTM A182-G F6a ASTM A182-F22 ASTM A182-F304, F316, F321, F304L, F316L
3	阀杆 Stem	ASTM A182-G F6a ASTM A182-F22 ASTM A182-F304, F316, F321, F304L, F316L
4	垫片 Gasket	柔性石墨+不锈钢 Flexible graphite+stainless steel, PTFE
5	双头螺栓 Bolt	ASTM A193-B7, A193-B8, A193-B8M
6	六角螺母 Nut	ASTM A194-2H, A194-8, A194-8M
7	阀盖 Bonnet	ASTM A216-WCB ASTM A351-CF8, CF8M, CF3, CF3M
8	波纹管组件 Bellow assembly	ASTM A182-F304, F316, F321, F304L, F316L
9	填料 Packing	柔性石墨 Flexible graphite, PTFE
10	填料压盖 Gland	ASTM A216-WCB ASTM A351-CF8, CF8M, CF3, CF3M
11	叉架 Yoke	ASTM A216-WCB ASTM A351-CF8, CF8M, CF3, CF3M
12	阀杆螺母 Yoke nut	铜合金 ZA19-4
13	手轮 Handwheel	ASTM A536 Gr.60-40-18, A216-WCB



◆ 主要尺寸及重量 Main Dimension And Weight

型号 Model		MLAWZ41--150LB														
压力等级 Pressure		150LB														
口径 Size	mm	15	20	25	32	40	50	65	80	100	125	150	200	250	300	350
口径 Size	in	1/2	3/4	1	1 1/4	1 1/2	2	2 1/2	3	4	5	6	8	10	12	14
L	mm	108	117	127	140	165	178	190	203	229	254	267	292	330	356	381
H	mm	200	210	250	260	290	370	398	440	490	530	580	670	760	850	950
W	mm	120	140	140	180	200	220	250	280	300	340	400	450	450	500	500
重量(Kg/Weight)		8	9	10	15	22	30	42	55	70	100	140	180	250	350	450

型号 Model		MLAWZ41--300LB														
压力等级 Pressure		300LB														
口径 Size	mm	15	20	25	32	40	50	65	80	100	125	150	200	250	300	350
口径 Size	in	1/2	3/4	1	1 1/4	1 1/2	2	2 1/2	3	4	5	6	8	10	12	14
L	mm	140	152	165	178	190	216	241	283	305	381	403	419	457	502	562
H	mm	200	210	250	260	290	370	398	440	490	530	580	670	760	850	980
W	mm	120	140	140	180	200	220	250	280	300	340	400	450	450	500	500
重量(Kg/Weight)		9	10	12	18	25	38	53	70	88	125	175	225	310	440	560

型号 Model		MLAWZ41--600LB														
压力等级 Pressure		600LB														
口径 Size	mm	15	20	25	32	40	50	65	80	100	125	150	200	250	300	350
口径 Size	in	1/2	3/4	1	1 1/4	1 1/2	2	2 1/2	3	4	5	6	8	10	12	14
L	mm	165	190	216	229	241	292	330	356	432	508	559	600	787	838	889
H	mm	200	210	250	260	290	370	398	440	490	530	580	670	760	850	980
W	mm	120	140	140	180	200	220	250	280	300	340	400	450	450	500	500
重量(Kg/Weight)		11	13	16	24	32	50	70	90	105	165	230	300	400	570	730

◆ 产品结构特点 Product structural Features

美标波纹管截止阀适用于公称压力 CLASS150-900LB, 工作温度-29-350°C的石油、化工、制药、化肥、电力行业等各种工况的管路上, 切断或接通管路介质。

Stop valve with bellow seal acc.to ANSI is applicable to the cutting and connection of pipelines medium that are used in various industries such as petroleum,chemical industry,pharmacy,chemical fertilizer,electric power industry etc under nominal pressure of CLASS150-900LB and working temperature of -29-350°C

◆ 其主要结构特点 Main Structural Features

- 1、产品结构合理、密封可靠、性能优良、造型美观;
- 2、密封面堆焊Co基硬质合金、耐磨、耐腐蚀、抗摩擦性能好、使用寿命长;
- 3、阀杆调质及表面氮化处理, 有良好的抗腐蚀和抗摩擦性能;
- 4、双重密封, 性能更可靠;
- 5、阀杆升降位置指示, 更直观;
- 6、零件材质、法兰和对焊端尺寸可根据实际工况或用户要求合理选配, 满足各种工程需要。

- 1、This product has logical structure, reliable seal, excellent performance and nice design.
- 2、The seal surface is build-up welding with Co hard alloy, which is attrition-resistant, corrosion-resistant, has good friction resistant and long life.
- 3、The stem is quenched and tempered, and its surface is treated by nitriding treatment, thus it has good corrosion resistant and friction resistant.
- 4、It has double seal capability, thus is more reliable.

- 5、The stem may show the position of lift, thus it is clearer.
- 6、The part material, flange and butt weld end dimension may be selected according to current operating condition and users' requirement, so that meet the requirements of various engineering.

◆ 技术规范 Technical Specification

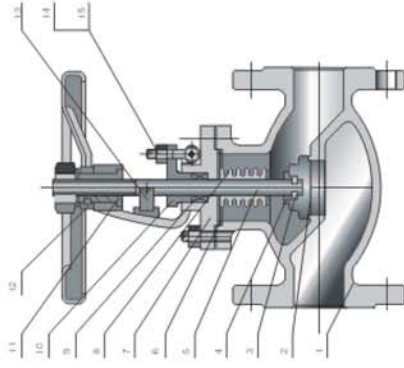
结构形式 Structural formotion	BB-BG-OS & Y
驱动方式 Driving manner	手动 Hand-operated 电动 Electric-actuated
设计标准 Design standard	ANSI B16.34, BS1873
驱动长度 Face to face	ASME B16.10
连接法兰 Flange ends	ASME B16.5
试验和检验 Test & inspection	API608, EN12286

◆ 产品性能规范 Products Performance Specification

公称压力(B) Nominal pressure	壳体试验压力(MPa) Shell test	密封试验压力(MPa) Sealing test	适用温度(C) Suitable temp.	使用介质 Suitable medium
150	3.0	2.2		
300	7.5	5.5	≤350°C	水、蒸气、油类等 Water oil & gas
600	15.0	11.0		
900	22.5	16.5		

Stone Valve

美标波纹管截止阀
Globe Valve With Bellow Seal Acc. To ANSI

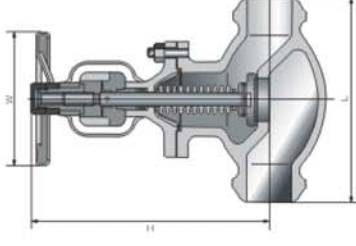
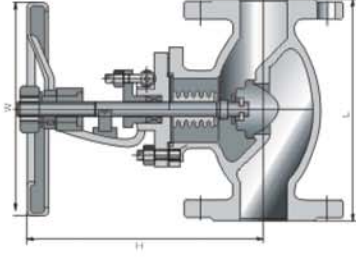


◆主要零件材质 Main Parts Materials

序号 NO.	名称 Part name	材质 Material
1	阀体 Body	ASTM A216-WCB ASTM A351-CF8, CR1M, CF3, CF3M
2	阀瓣 Disc	ASTM A182-G-F6a ASTM A182-F22 ASTM A182-F304, F316, F321, F304L, F316L
3	对开阀环 Split ring	ASTM A182-G-F6a ASTM A182-F22 ASTM A182-F304, F316, F321, F304L, F316L
4	阀瓣盖 Disc bushing	ASTM A182-G-F6a ASTM A182-F22 ASTM A182-F304, F316, F321, F304L, F316L
5	阀杆 Stem	ASTM A182-G-F6a ASTM A182-F22 ASTM A182-F304, F316, F321, F304L, F316L
6	垫片 Gasket	柔性石墨+不锈钢 Flexible Graphite+stainless steel, PTFE
7	阀盖 Bonnet	ASTM A216-WCB ASTM A351-CF8, CR1M, CF3, CF3M
8	波纹管组件 Bellow assembly	ASTM A182-F304, F316, F321, F304L, F316L
9	填料 Packing	柔性石墨 Flexible Graphite, PTFE
10	填料压盖 Gland	ASTM A216-WCB ASTM A351-CF8, CR1M, CF3, CF3M
11	阀杆螺母 Yoke nut	铜合金 ZQA19-4
12	手轮 Handwheel	ASTM A536 Gr.60-40-18, A216-WCB
13	定位片 Guiding piece	45, WCB, 304, 316, 304L, 316L
14	双头螺栓 Bolt	ASTM A193-B7, A193-B8, A193-B8M
15	六角螺母 Nut	ASTM A194-2H, A194-8, A194-8M

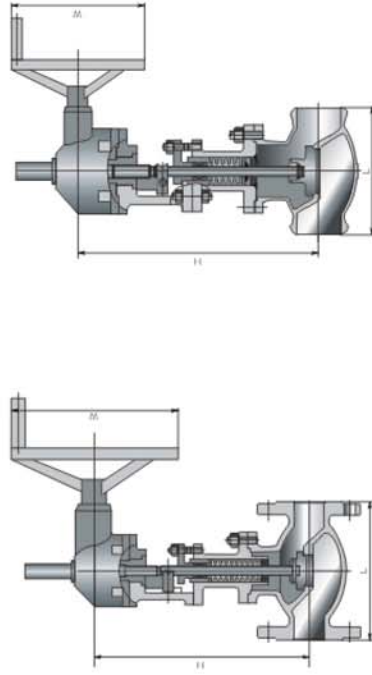
美标波纹管截止阀
Globe Valve With Bellow Seal Acc. To ANSI

Stone Valve



◆主要尺寸及重量 Main Dimension And Weight

型号 Model	MLAWJH-150LB														
	150LB														
压力等级 Pressure	15	20	25	32	40	50	65	80	100	125	150	200	250	300	350
口径 Size	1/2	3/4	1	1 1/4	1 1/2	2	2 1/2	3	4	5	6	8	10	12	14
L	108	117	127	140	165	203	216	241	292	356	406	405	622	698	787
H	241	241	241	280	286	368	387	400	457	520	609	698	762	876	990
W	120	140	140	180	200	220	260	280	300	320	340	400	450	450	450
重量(Kg) Weight	4	5	6	10	13	18	30	35	55	75	104	200	300	350	610
型号 Model	MLAWJH-300LB														
	300LB														
压力等级 Pressure	15	20	25	32	40	50	65	80	100	125	150	200	250	300	350
口径 Size	1/2	3/4	1	1 1/4	1 1/2	2	2 1/2	3	4	5	6	8	10	12	14
L	152	178	203	215	229	267	292	318	356	400	444	559	622	711	762
H	241	241	283	320	322	399	438	450	584	610	660	762	850	1085	1187
W	120	140	140	180	200	220	260	280	300	320	340	400	450	450	450
重量(Kg) Weight	6	7	10	15	20	25	30	52	88	115	160	259	420	595	876



◆ 主要尺寸及重量 Main Dimension And Weight

型号 Model		MLAWJ41-600LB														
压力等级 Pressure		600LB														
口径 Size	mm	15	20	25	32	40	50	65	80	100	125	150	200	250	300	350
	in	1/2	3/4	1	1 1/4	1 1/2	2	2 1/2	3	4	5	6	8	10	12	14
L	165	190	216	229	241	292	330	356	432	508	559	660	787	838	889	
H	240	280	320	320	390	430	480	508	635	750	914	1016	1219	1330	1560	
W	140	140	160	160	180	180	250	250	350	400	450	500	600	720	760	
重量(Kg) Weight	7	10	16	22	29	35	50	90	150	230	300	510	850	1120	1420	

型号 Model		MLAWJ41-900LB														
压力等级 Pressure		900LB														
口径 Size	mm	15	20	25	32	40	50	65	80	100	125	150	200	250	300	350
	in	1/2	3/4	1	1 1/4	1 1/2	2	2 1/2	3	4	5	6	8	10	12	14
L	229	229	254	279	305	368	419	381	457	559	610	737	838	965	1029	
H	280	330	330	430	508	569	430	635	774	860	1040	1300	1560	1650	1780	
W	160	160	180	180	250	250	320	350	450	550	600	720	760	820	890	
重量(Kg) Weight	10	16	23	37	49	65	75	120	200	350	410	700	1300	1500	1800	

◆ 用途 Purpose

国际波纹管截止阀适用于公称压力 PN1.6-16MPa，工作温度 -29-350°C 的石油、化工、制药、化肥、电力行业等各种工况的管路上，切断或接通管路介质。

Gate valve with bellow seal acc. To GB is applicable to the cutting and connection of pipelines medium that are used in various industries such as petroleum, chemical industry, pharmacy, chemical fertilizer, electric power industry etc under nominal pressure of PN1.6-16Mpa and working temperature of -29-350°C

◆ 结构特点 Structural Features

- 1、产品结构合理，密封可靠，性能优良，造型美观；
- 2、密封面堆焊Co基硬质合金，耐磨、耐腐、抗摩擦性能好，使用寿命长；
- 3、阀杆淬质及表面氮化处理，有良好的抗腐和抗摩擦性能；
- 4、双重密封，性能更可靠；
- 5、阀杆升降位置指示，更直观。
- 6、零件材质及法兰、对焊端尺寸可根据实际工况或用户要求合理选配，满足各种工程需要。

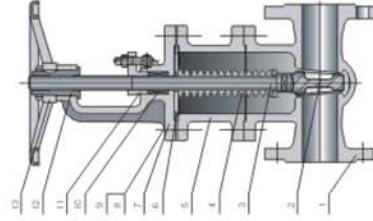
- 1.This product has logical structure, reliable seal, excellent performance and nice design.
- 2.The seal surface is build-up welding with Co hard alloy, which is attrition-resistant,corrosion-resistant, has good friction resistant and long life.
- 3.The stem is quenched and tempered, and its surface is treated by nitriding treatment, thus it has good corrosion resistant and friction resistant.
- 4.It has double seal capability, thus is more reliable.
- 5.The stem may show the position of lift, thus it is clearer.
- 6.The part material, flange and butt weld end dimension may be selected according to current operating condition and users' requirement, so that meet the requirements of various engineering.

◆ 技术规范 Technical Specification

结构形式 Structural formotion	BB-BG-OS&Y
驱动方式 Driving manner	手动 Hand-operated 电动 Electric-actuated
设计标准 Design standard	GB12234
结构长度 Face to face	GB12221
连接法兰 Flange ends	GB9113、JB79、HG20596
试验和检验 Test & inspection	JB/T 9002、GB/T13027

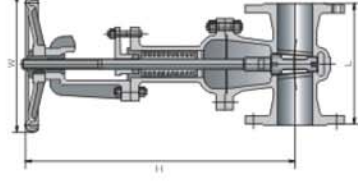
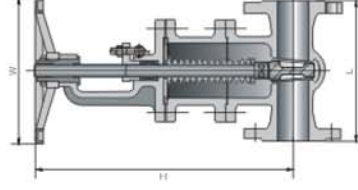
◆ 产品性能规范 Products Performance Specification

公称压力(Nominal pressure)	壳体试验压力(MPa) Shell test	密封试验压力(MPa) Sealing test	适用温度(Suitable temp.)	使用介质 Suitable medium
1.6	2.4	1.76		
2.5	3.75	2.75		
4.0	6.0	4.4	≤350°C	水、蒸气、油品等 Water oil & gas
6.4	9.6	7.04		



◆主要零部件材质 Main Parts Materials

序号 NO.	名称 Part Name	材 质 Material
1	阀体 Body	WCB CF8, CF8M, CF3, CF3M
2	闸板 Disc	25, 10Cr13, 2Cr13 1Cr18Ni9Ti, 0Cr18Ni12Mo2Ti 20Cr1Mo1V, 25Cr2MoV
3	闸杆 Stem	25, 10Cr13, 2Cr13 1Cr18Ni9Ti, 0Cr18Ni12Mo2Ti 20Cr1Mo1V, 25Cr2MoV
4	波纹管组件 Bellow assemble	1Cr18Ni9Ti, 304, 316, 304L, 316L
5	支架 Yoke	WCB CF8, CF8M, CF3, CF3M
6	垫片 Gasket	柔性石墨+不锈钢 Flexible graphite+stainless steel, PTFE
7	闸盖 Bornet	WCB CF8, CF8M, CF3, CF3M
8	六角螺母 Nut	0Cr18Ni9Ti, 0Cr18Ni12Mo2Ti 35CrMoV, 25Cr2MoV
9	双头螺栓 Bolt	0Cr18Ni9Ti, 0Cr18Ni12Mo2Ti 35CrMoV, 25Cr2MoV
10	填料 Packing	柔性石墨 Flexible graphite, PTFE
11	填料压盖 Gland	WCB CF8, CF8M, CF3, CF3M
12	闸杆螺母 Yoke nut	铝合金 ZQA19-4
13	手轮 Handwheel	WCB QT400-18



◆主要尺寸及重量 Main Dimension And Weight

型号 Model	MLGWZ41-15														
	PN15														
口径 Size	15	20	25	32	40	50	65	80	100	125	150	200	250	300	350
L	108	117	127	140	165	178	190	203	229	254	267	292	330	356	381
H	200	210	250	260	290	370	398	440	490	530	580	670	760	850	950
W	120	140	140	180	200	220	260	280	300	340	400	450	450	500	500
重量(Kg) Weight	8	9	10	15	22	30	43	57	73	105	150	190	270	380	480

型号 Model	MLGWZ41-25														
	PN25														
口径 Size	15	20	25	32	40	50	65	80	100	125	150	200	250	300	350
L	140	152	165	178	190	216	241	283	305	381	403	419	457	502	762
H	200	210	250	260	290	370	398	440	490	530	580	670	760	850	980
W	120	140	140	180	200	220	260	280	300	340	400	450	450	500	500
重量(Kg) Weight	9	10	12	17	23	34	50	65	82	115	165	210	300	420	540

型号 Model	MLGWZ41-40														
	PN40														
口径 Size	15	20	25	32	40	50	65	80	100	125	150	200	250	300	350
L	165	190	216	229	241	292	330	356	432	508	559	660	787	838	889
H	200	210	250	260	290	370	398	440	490	530	580	670	760	850	980
W	120	140	140	180	200	220	260	280	300	340	400	450	450	500	500
重量(Kg) Weight	9	10	12	18	25	38	53	70	88	125	175	225	310	440	560

◆ 产品结构特点 Product Structural Features

国标波纹管截止阀适用于公称压力PN1.6~16MPa, 工作温度-29~350°C的石油、化工、制药、化肥、电力行业等各种工况的管路上, 切断或接通管路介质。

Stop valve with bellow seal acc.to GB is applicable to the cut-ting and connection of pipelines medium that are used in various industries such as petroleum,chemical industry,pharmacy,chemical fertilizer,electric power industry etc under nominal pressure of PN1.6~16MPa and working temperature of-29~350°C.

◆ 其主要结构特点 Main Structural Features

1. 产品结构合理, 密封可靠, 性能优良, 造型美观;
2. 密封面堆焊Co基硬质合金, 耐磨、耐腐, 抗摩擦性能好, 使用寿命长;
3. 阀杆硬质及表面氮化处理, 有良好的抗磨和抗腐蚀性;
4. 双重密封, 性能更可靠;
5. 阀杆升降位置指示, 更直观;
6. 零件材质及法兰, 对焊尺寸可根据实际工况或用户要求合理选配, 满足各种工程需要。

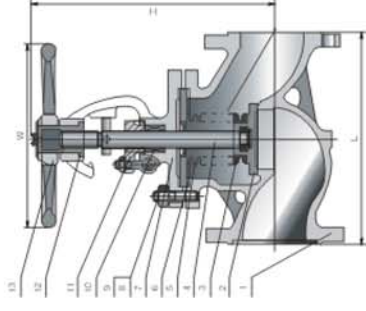
1. This product has logical structure, reliable seal, excellent performance and nice design.
2. The seal surface is build-up welding with Co hard alloy, which is attrition-resistant, corrosion-resistant, has good friction resistant and long life.
3. The stem is quenched and tempered, and its surface is treated by nitriding treatment, thus it has good corrosion resistant and friction resistant.
4. It has double seal capability, thus is more reliable.
5. The stem may show the position of lift, thus it is clearer.
6. The part material, flange and butt weld end dimension may be selected according to current operating condition and users' requirement, so that meet the requirements of various engineering.

◆ 技术规范 Technical Specification

结构形式 Structural form	BB-BG-QS & Y		
驱动方式 Driving manner	手动 Hand-operated		
设计标准 Design standard	电动 Electric-actuated		
执行标准 Face to face	GB12235		
五通法兰 Flange ends	GB12221		
试验和检验 Test & inspection	GB9113, JB/T79, HG20596		
	JB/T 9092, GB/T 13927		

◆ 产品性能规范 Products Performance Specification

公称压力(Nominal pressure)	壳体试验压力(Shell test)	密封试验压力(Sealing test)	适用温度(Suitable temp.)	使用介质(Suitable medium)
1.6	2.4	1.76		
2.5	3.75	2.75	≤350°C	水、蒸气、油品等 Water, oil & gas
4.0	6.0	4.4		
6.4	9.6	7.04		

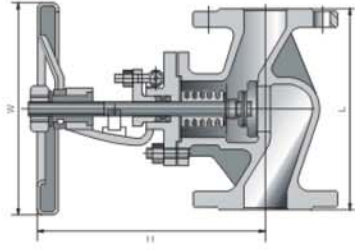
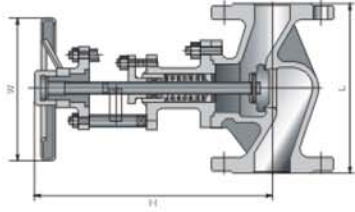
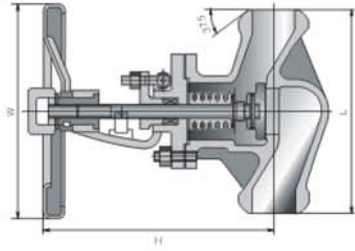


◆ 主要尺寸及重量 Main Dimensions And Weight

序号NO.	名称 Part Name	材 质 Material
1	阀体 Body	WCB CF8, CF8M, CF3, CF3M
2	阀瓣 Disc	25, 1C-13, 2C-13 1C-18N9T1, 0C-18N12M2T1, 20C-1Mo1V, 25C-2MoV
3	轴销 Pin	25, 1C-13, 2C-13 1C-18N9T1, 0C-18N12M2T1, 20C-1Mo1V, 25C-2MoV
4	阀杆 Stem	25, 1C-13, 2C-13 1C-18N9T1, 0C-18N12M2T1, 20C-1Mo1V, 25C-2MoV
5	波纹管组件 Bellow assembly	1C-18N9T1, 304, 316, 304L, 316L
6	垫片 Gasket	柔性石墨+不锈钢 Flexible graphite + stainless steel, PTFE
7	阀盖 Bonnet	WCB CF8, CF8M, CF3, CF3M
8	双头螺栓 Bolt	0C-18N9T1, 0C-18N12M2T1 35C-MoV, 25C-2MoV
9	六角螺母 Nut	0C-18N9T1, 0C-18N12M2T1 35C-MoV, 25C-2MoV
10	填料 Packing	柔性石墨 Flexible graphite, PTFE
11	填料压盖 Gland	WCB CF8, CF8M, CF3, CF3M
12	阀杆螺母 Yoke nut	合金 ZA19-4
13	手轮 Handwheel	WCB, QT400-18

Stone Valve

国标波纹管截止阀
Globe Valve With Bellow Seal Acc. to GB



◆ 主要尺寸及重量 Main Dimensions And Weight

型号 Model	压力等级 Pressure	口径 Size	L	H	W	重量(g) Weight								
MLGWJH-16														
PN16														
15	20	25	32	40	50	65	80	100	125	150	200	250	300	350
130	150	160	180	200	230	290	310	350	400	480	600	730	850	980
190	195	225	260	280	310	340	395	435	470	535	590	630	680	720
120	140	140	180	200	220	260	280	300	340	400	450	450	500	500
5	5	5.5	11	13.5	19	26	36	46	74	102	168	270	420	620

型号 Model	压力等级 Pressure	口径 Size	L	H	W	重量(g) Weight								
MLGWJH-25														
PN25														
15	20	25	32	40	50	65	80	100	125	150	200	250	300	350
130	150	160	180	200	230	290	310	350	400	480	600	730	850	980
190	195	225	260	280	310	340	395	435	470	535	590	630	680	720
120	140	140	180	200	220	260	280	300	340	400	450	450	500	500
5	5	5.5	11	14	20	27	37	48	77	105	172	310	520	690

型号 Model	压力等级 Pressure	口径 Size	L	H	W	重量(g) Weight								
MLGWJH-40														
PN40														
15	20	25	32	40	50	65	80	100	125	150	200	250	300	350
130	150	160	180	200	230	290	310	350	400	480	600	730	850	980
190	195	225	260	280	310	340	395	435	470	535	590	630	680	720
120	140	140	180	200	220	260	280	300	340	400	450	450	500	500
5	5	5.5	11	14.5	21	28	39	50	80	108	176	350	590	790



服务网络

Service Network

诚信为本、服务创新，我们的服务遍布全球
Our Sincerely And Innovated Service, Throughout The World

通畅的渠道，高效、专业的市场推广机制
灵敏的信息系统，最完善的市场监控体系
优质的服务作风，诚信为本，朴素经营

High efficiency, expedite marketing channel and extending system

Flexible communication system, modesty manner and perfect customer service

Loyalty and trustworthiness first, simplicity is our principle

迈隆产品出口东南亚、欧洲、美国、巴西、中东等十几个国家和地区，可靠的质量与合理的价格，是我们不断发展的基石！

MAILON Products have been Exports to Southeast Asia, Europe, the United States, Brazil, the Middle East, more than a dozen countries and regions, reliable quality and reasonable price, is the cornerstone of our continuous development.

Stone Valve